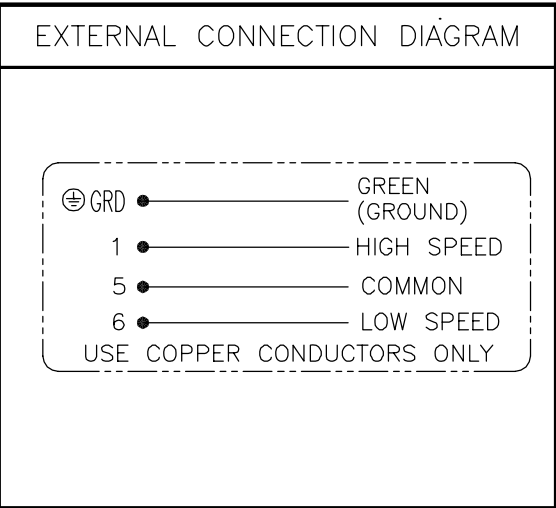
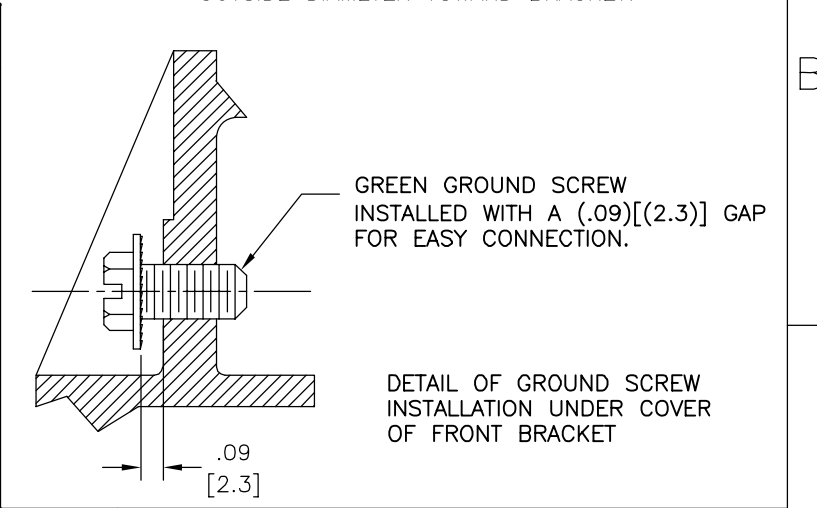


NAMEPLATE DATA	
MODEL: F48AD32A01	
CUST PN: BN37V1	
HP: 1.0/.125	SF: 1.0
ROT: CWLE	
RPM: 3450/1725	
TYPE: C/F	CODE: A
FORM:	FRAME: 48Y
VOLTS: 115	
AMPS: 10.8/2.8	
MAX AMPS:	
SF AMPS:	
PH: 1	HZ: 60
INS: B	AMB: 40
DUTY: CONT	
ENCLOSURE: ODP	
THERMALLY PROTECTED	



NOTES

1. LEAD END FRAME TO BE ORIENTED TO DRIVE END FRAME TO WITHIN $\pm 2^\circ$
2. ALL DIMENSIONS SHOWN IN PARENTHESIS ARE REFERENCE DIMENSIONS.



PERFORMANCE CURVE	APPROVED SAMPLE	GEOMETRIC CHARACTERISTICS & SYMBOLS	
F48K2W4	0802263B	□ FLATNESS	UNLESS OTHERWISE SPECIFIED DIM. TOLERANCES ARE AS FOLLOWS:
UL COMPONENT	CSA	- STRAIGHTNESS	INCH $\pm .1$ $\pm .02$ $\pm .005$ $\pm .0005$
FILE#	CCN#	< ANGLARITY	mm ± 0.5 ± 0.13 ± 0.013
PENDING	PENDING	⊥ PERPENDICULARITY (SQUARENESS)	ANG. ± 50 DEG
CUSTOMER	DISTRIBUTION	// PARALLELISM	REMOVE BURRS & BREAK SHARP EDGES:
		○ ROUNDNESS (CIRCULARITY)	INCH .003-.015 mm 0.1-0.4
		∅ CYLINDRICITY	CORNER FILLETS TO:
		△ PROFILE OF ANY SURFACE	INCH .020 mm 0.5
		∧ PROFILE OF ANY LINE	MACHINE SURFACES:
		↑ RUNOUT	INCH $\sqrt{125}$ mm $\sqrt{3.2}$
		⊕ TRUE POSITION	METRIC DIMS. SHOWN IN [BRACKETS]
		⊙ CONCENTRICITY	
		= SYMMETRY	

DR BY:	DATE:	REGAL	REGAL-BELOIT CORPORATION
FX	10-15-2010		
SH	10-15-2010		
THIRD ANGLE PROJECTION	EDS DATE 11-11-2011		
	FORMAT REV H		
CONFIDENTIAL: THIS DRAWING AND ITS INFORMATION ARE THE EXCLUSIVE AND CONFIDENTIAL PROPERTY OF REGAL-BELOIT CORPORATION AND ARE NOT TO BE DISCLOSED, DUPLICATED, DISTRIBUTED OR OTHERWISE USED WITHOUT THE WRITTEN CONSENT OF REGAL-BELOIT CORPORATION. -ALL RIGHTS RESERVED.			

DESCRIPTION	SIZE	DWG NO	SCALE	SHEET
OUTLINE	C	BN37V1	NONE	1

PERFORMANCE CURVE	APPROVED SAMPLE	GEOMETRIC CHARACTERISTICS & SYMBOLS	UNLESS OTHERWISE SPECIFIED DIM. TOLERANCES ARE AS FOLLOWS:
F48K2W4	0802263B	□ FLATNESS	INCH $\pm .1$ $\pm .02$ $\pm .005$ $\pm .0005$
UL COMPONENT	CSA	- STRAIGHTNESS	mm ± 0.5 ± 0.13 ± 0.013
FILE#	CCN#	< ANGLARITY	ANG. ± 50 DEG
PENDING	PENDING	⊥ PERPENDICULARITY (SQUARENESS)	REMOVE BURRS & BREAK SHARP EDGES:
CUSTOMER	DISTRIBUTION	// PARALLELISM	INCH .003-.015 mm 0.1-0.4
		○ ROUNDNESS (CIRCULARITY)	CORNER FILLETS TO:
		∅ CYLINDRICITY	INCH .020 mm 0.5
		△ PROFILE OF ANY SURFACE	MACHINE SURFACES:
		∧ PROFILE OF ANY LINE	INCH $\sqrt{125}$ mm $\sqrt{3.2}$
		↑ RUNOUT	METRIC DIMS. SHOWN IN [BRACKETS]
		⊕ TRUE POSITION	
		⊙ CONCENTRICITY	
		= SYMMETRY	

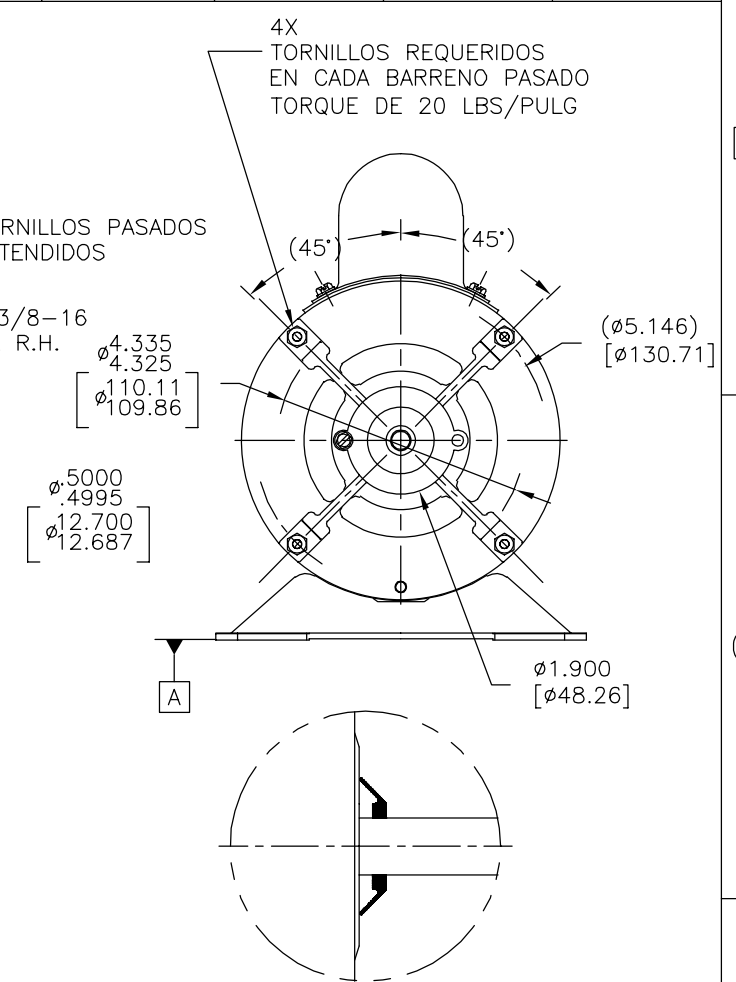
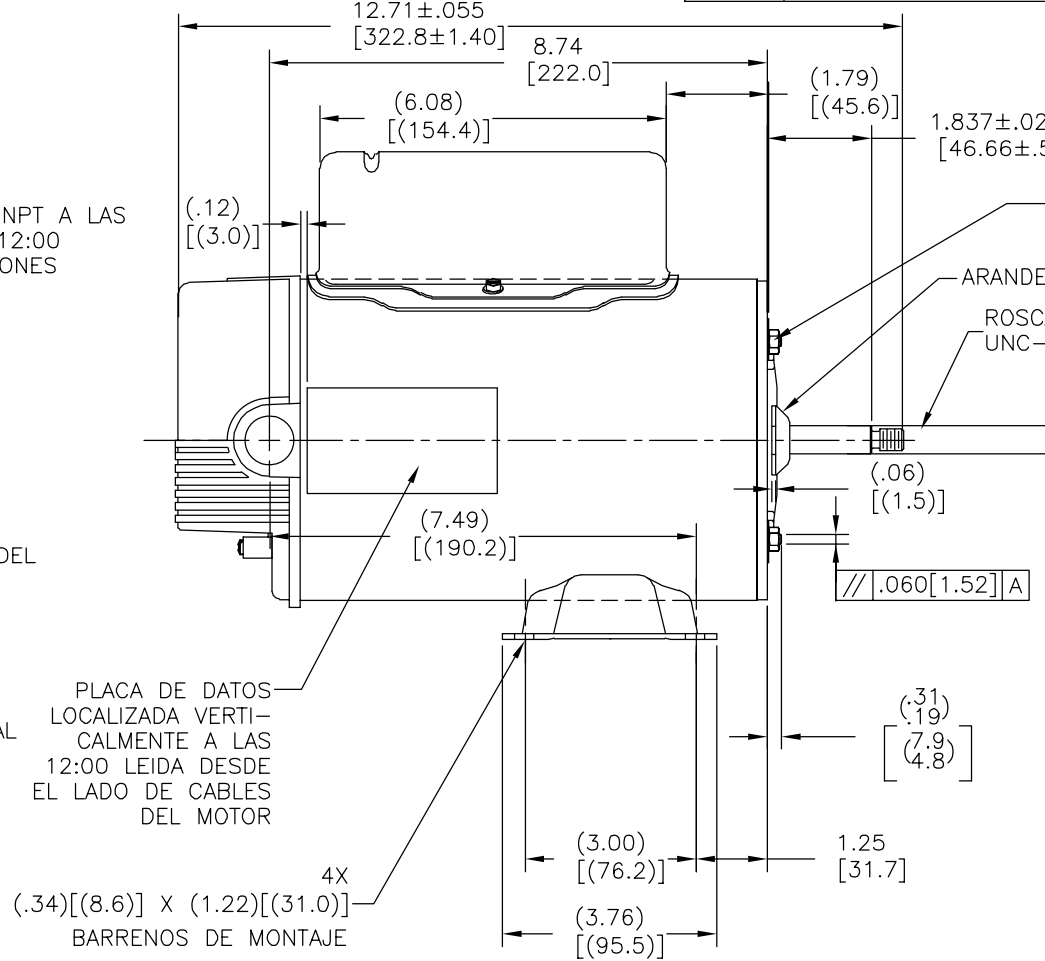
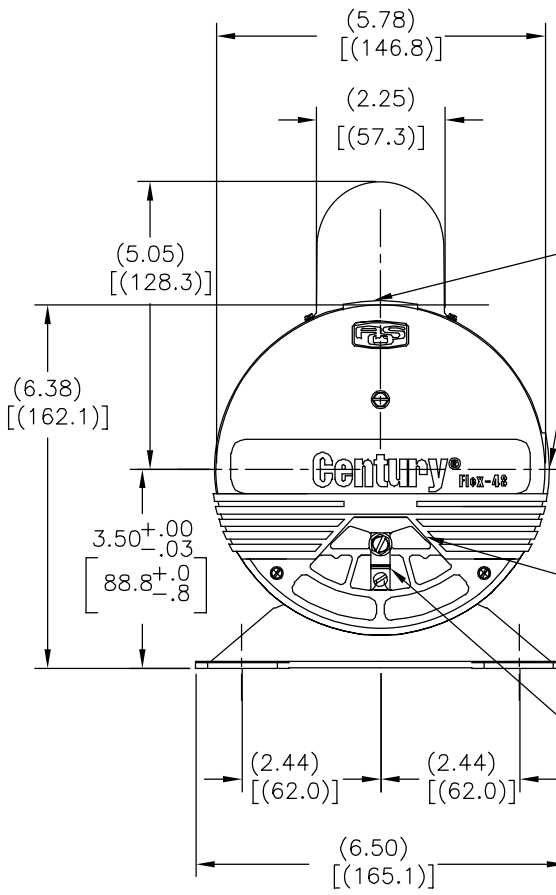
4

3

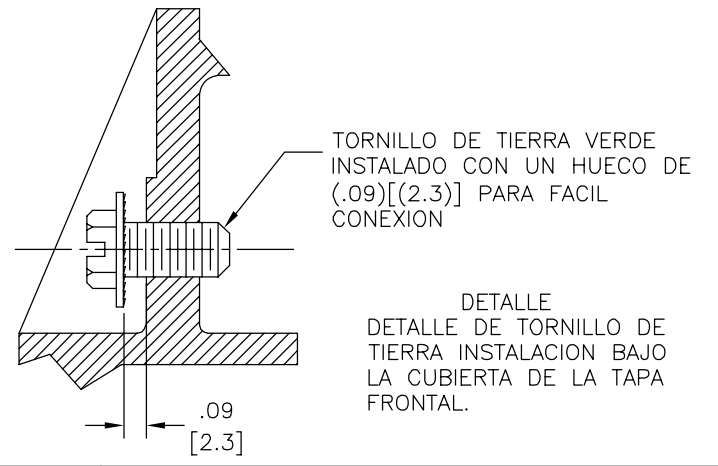
2

1

REVISION: ECO	REVISADO POR: C.ZHANG	FECHA: 06-11-2012	APROBADO POR: B.SHEN	FECHA: 06-11-2012
F	0026813			



VER LISTA DE MATERIALES PARA # DE PARTE - DISPERSOR NIVELAR CONTRA EL EXTREMO DE LA TAPA CON EL DIAMETRO EXTERNO HACIA LA TAPA.



NAMEPLATE DATA	EXTERNAL CONNECTION DIAGRAM	NOTES
MODEL: F48AD32A01 CUST PN: BN37V1 HP: 1.0/.125 SF: 1.0 ROT: CWLE RPM: 3450/1725 TYPE: C/F CODE: A FORM: FRAME: 48Y VOLTS: 115 AMPS: 10.8/2.8 MAX AMPS: SF AMPS: PH: 1 HZ: 60 INS: B AMB: 40 DUTY: CONT ENCLOSURE: ODP THERMALLY PROTECTED	<p>⊕ GRD ● GREEN (GROUND) 1 ● HIGH SPEED 5 ● COMMON 6 ● LOW SPEED USE COPPER CONDUCTORS ONLY</p>	1. CABLES DE LA TAPA ORIENTADOS AL LADO MOTRIZ DEL MOTOR DE LA CARCAZA CON RESPECTO A ±2° 2. TODAS LAS DIMENSIONES QUE SE MUESTREN EN PARENTESIS SON DIMENSIONES DE REFERENCIA.

PERFORMANCE CURVE	APPROVED SAMPLE	CARACTERISTICAS DE GEOMETRIA Y SIMBOLOS ▽ PLANICIDAD - RECTITUD < ANGULARIDAD ⊥ PERPENDICULARIDAD (A ESQUADRA) // PARALELISMO ○ REDONDEZ (CIRCULARIDAD) ∅ CILINDRICIDAD △ PERFIL DE CUALQUIER SUPERFICIE ▲ PERFIL DE CUALQUIER LINEA † VARIACION ⊕ POSICION REAL ⊙ CONCENTRICIDAD = SIMETRIA ASME Y14.5M 1994	A MENOS QUE SE ESPECIFIQUE DE OTRA MANERA, LAS TOLERANCIAS DE LAS DIMS; SON LAS SIGUIENTES: PULG ±.1 ±.02 ±.005 ±.0005 mm ±0.5 ±0.13 ±0.013 ANG. ±50 GRADOS ELIMINAR REBABAS Y ORILLAS FILOSAS DEL BORDE. PULG .003-.015 mm 0.1-0.4 FILETEAR ESQUINA: PULG .020 mm 0.5 MAQUINAR SUPERFICIES PULG 125 mm .32 DIMS METRICAS MOSTRADAS [PARENTESIS]	DIBUJADO POR: FX	10-15-2010	REGAL REGAL-BELOIT CORPORATION DESCRIPCION: OUTLINE TAMAÑO: C NUMERO DE DIBUJO: BN37V1 ESCALA: NONE HOJA: 1
F48K2W4	0802263B			APROBADO POR: SH	10-15-2010	
UL COMPONENT	CSA			TERCER ANGULO DE PROYECCION	FECHA EDS: 11-11-2011 REV. FORMATO: H	
FILE#	CCN#			FILE#	GUIDE#	
PENDING	PENDING	PENDING	PENDING	CONFIDENCIAL: ESTE DIBUJO Y SU INFORMACION SON PROPIEDAD DE USO EXCLUSIVO Y CONFIDENCIAL DE REGAL-BELOIT CORPORATION. Y NO DEBERAN SER REVELADOS, DUPLICADOS, DISTRIBUIDOS O USARSE DE OTRA MANERA SIN EL CONSENTIMIENTO ESCRITO DE REGAL-BELOIT CORPORATION. -TODOS LOS DERECHOS RESERVADOS.		
CUSTOMER	DISTRIBUTION					

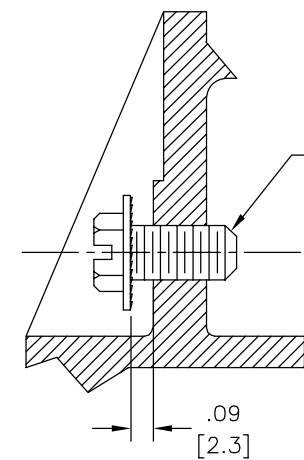
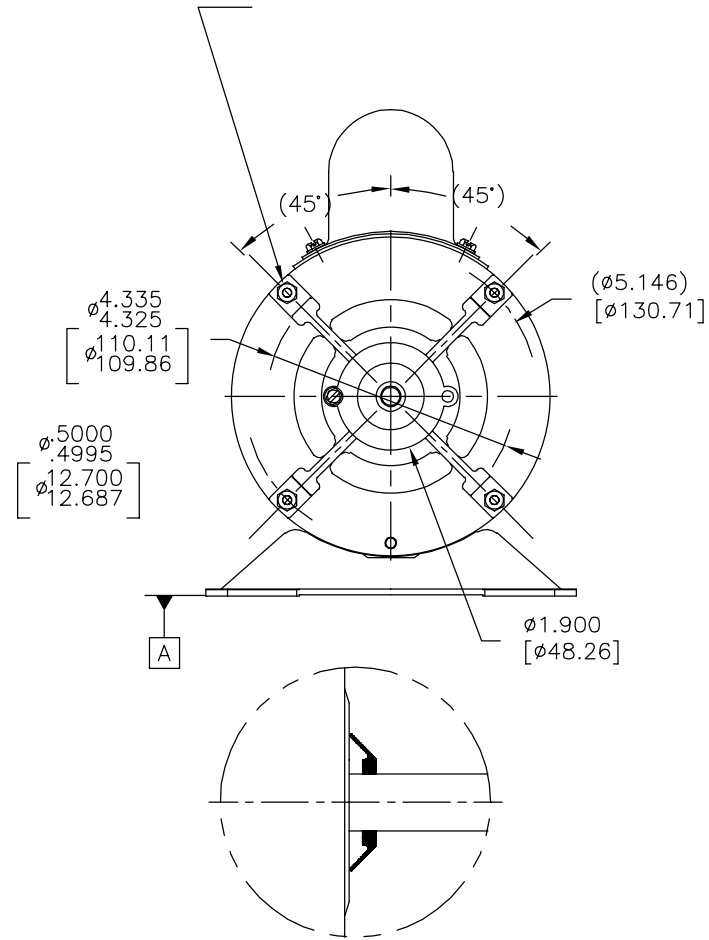
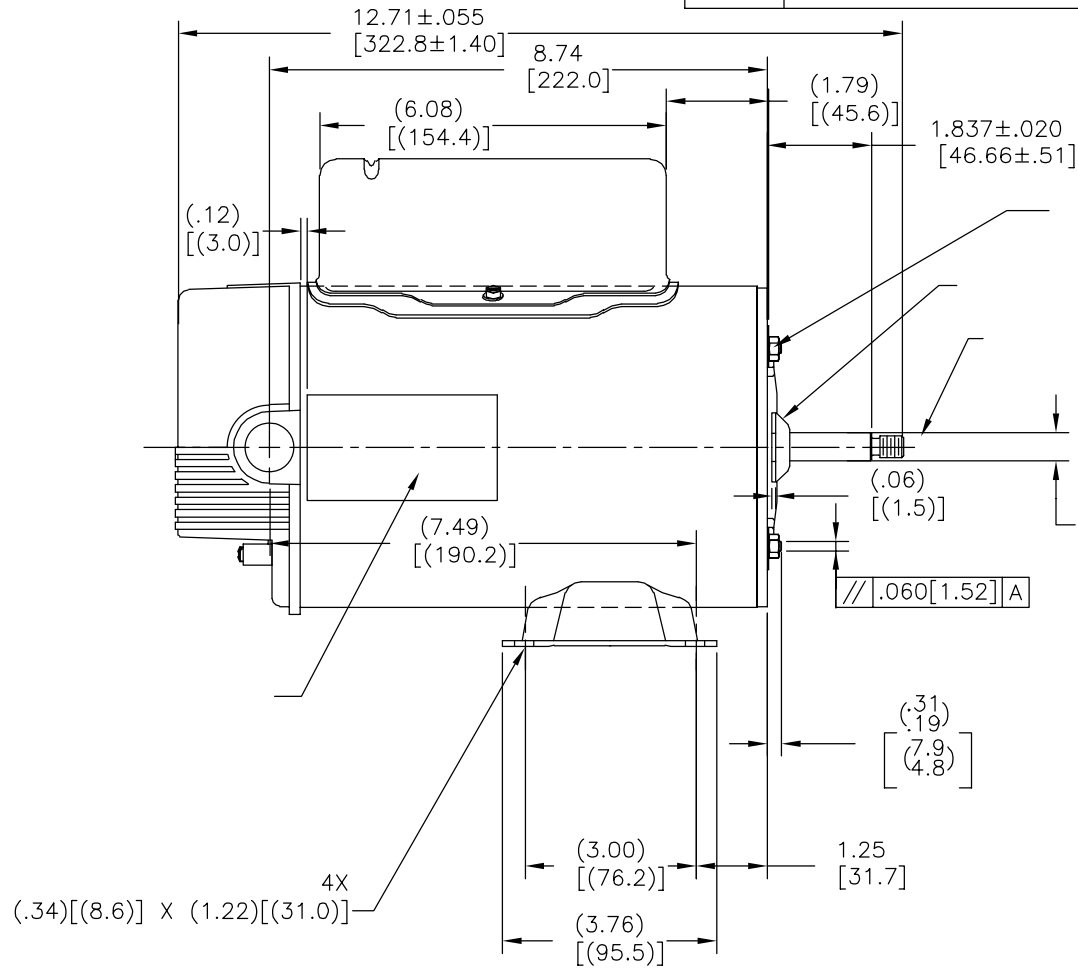
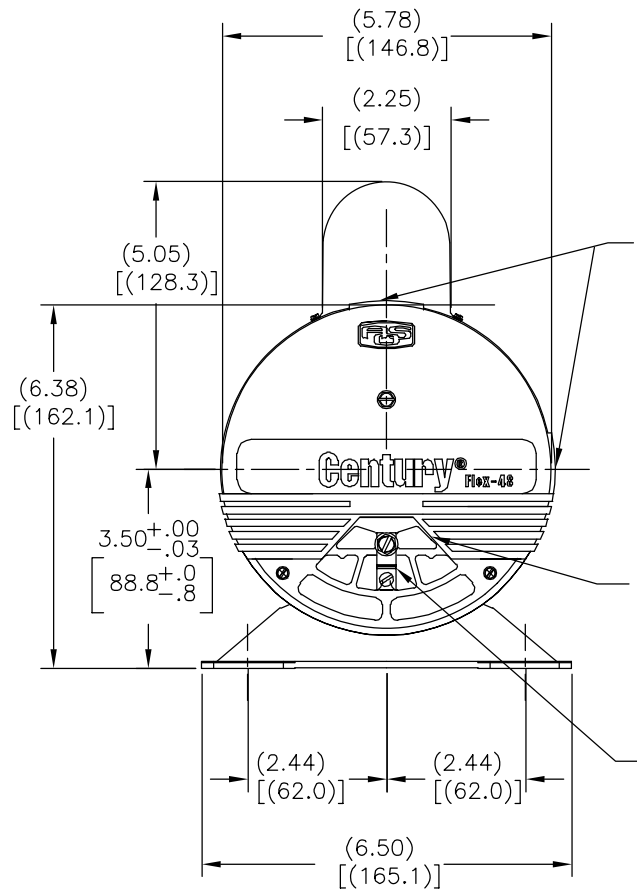
4

3

2

1

版本	ECO	编制	日期	批准	日期
F	0026813	C.ZHANG	06-11-2012	B.SHEN	06-11-2012



NAMEPLATE DATA		EXTERNAL CONNECTION DIAGRAM	NOTES
MODEL: F48AD32A01 CUST PN: BN37V1 HP: 1.0/.125 SF: 1.0 ROT: CWLE RPM: 3450/1725 TYPE: C/F CODE: A FORM: FRAME: 48Y VOLTS: 115 AMPS: 10.8/2.8 MAX AMPS: SF AMPS: PH: 1 HZ: 60 INS: B AMB: 40 DUTY: CONT ENCLOSURE: ODP THERMALLY PROTECTED		<p>⊕ GRD ● GREEN (GROUND) 1 ● HIGH SPEED 5 ● COMMON 6 ● LOW SPEED USE COPPER CONDUCTORS ONLY</p>	

PERFORMANCE CURVE	APPROVED SAMPLE		
F48K2W4	0802263B		
UL COMPONENT	CSA		
FILE#	CCN#	FILE#	GUIDE#
PENDING	PENDING	PENDING	PENDING
CUSTOMER	DISTRIBUTION		

形位公差	除另有注明
□ 平面度	尺寸公差如下:
— 直线度	英寸 X XX XXX XXXX
∠ 倾斜度	英寸 ±.1 ±.02 ±.005 ±.0005
⊥ 垂直度	毫米 ±0.5 ±0.13 ±0.013
// 平行度	角度 ±.50 度
○ 圆度	清理毛刺和尖棱
⊘ 圆柱度	英寸 .003-.015 毫米 0.1-0.4
△ 内圆角	内圆角
△ 面轮廓度	英寸 .020 毫米 0.5
△ 线轮廓度	表面粗糙度
∧ 圆跳动	英制 125 米制 3.2
⊕ 位置度	米制尺寸显示在 []
⊙ 同轴度	
≡ 对称度	

绘图:	FX	10-15-2010
批准:	SH	10-15-2010
第三角投影	⊕	图纸格式发布日期 11-11-2011 图纸格式版本 H
机密: 本图纸及相关信息所有权归REGAL-BELOIT CORPORATION. 未经REGAL-BELOIT CORPORATION书面授权, 不得泄露、复制、传播或作其他用途。—版权所有		

REGAL-BELOIT CORPORATION	
名称: OUTLINE	
图幅: C	图号: BN37V1
比例: NONE	页号: 1

ASME Y14.5M 1994