

FLOWSTAR® WIDE MOUTH SKIMMER AND FLOAT ASSEMBLY, BASKET, LID, ADJUSTABLE COLLAR FOR VINYL AND FIBERGLASS



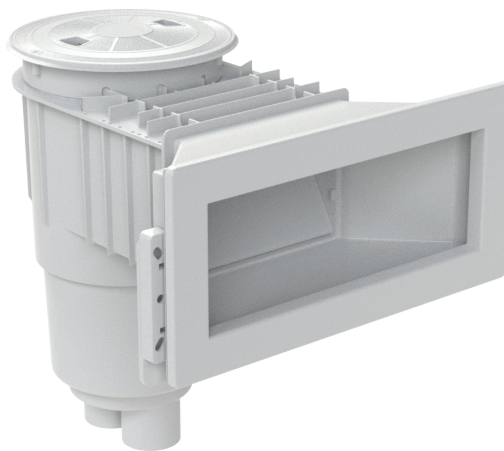
Built in conformance with NSF 50 and SPS 3 standards



FEATURES

- Designed for commercial and residential use, 15 GPM min, 90 GPM max
- For steel and polymer vinyl wall applications and fiberglass
- Includes stainless steel hardware for all applications
- Adjustable collar
- Weir clip lock secures the clips in the weir door
- Large self-contained basket with lock-in feature (will not float)
- Pre-installed O-ring for float assembly
- Underwater dampers on the faceplate for noise reduction on weir plate – especially on windy days
- Super strong engineered polymer upper housing
- Extra heavy-duty PVC lower unit (does not require transitional glue)
- 2½" outside slip; 2" inside slip (outside skimmer)
- 2" threads for pressure testing (inside skimmer)
- Built-in overflow or fill line knock-out
- Upper housing has pre-cut rebar cutouts with pre-drilled holes for tie wire
- Additional box inside skimmer box for a basket, float assembly and weir plate (so assembly does not get lost on job site)
- Skimmer Lid and Collar G154 UV tested
- Optional custom name/logo engraved on the lid (requires minimum 500 piece lid order)
- 1 per case

Two additional lid options available (sold separately): square or snap-in round/square



Comes with easy clip spacers for steel wall applications

Part # SKR36xxx

STANDARD COLORS

- SKR36101 – White
- SKR36103 – Light Gray
- SKR36105 – Dark Gray

Snap-in Round/Square Lid and Collar (sold separately) p/n SK65xxx, 8 per case

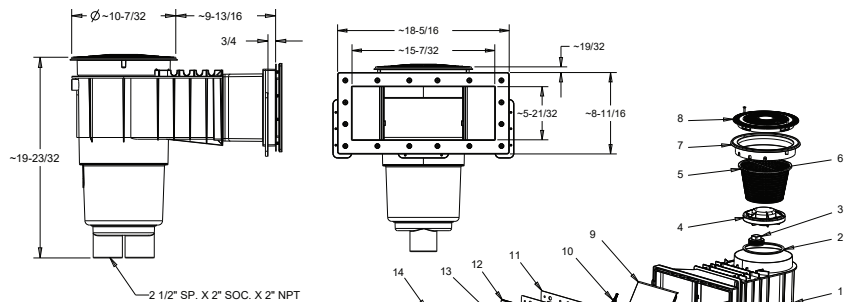
Also available without lid/collar (white only) p/n SKR36NL101, 1 per case

Also available with square lid and collar p/n SKR36xxx64xxx (second color code for lid color), 1 per case

Also available bonded with square lid and collar p/n SKR37xxx64xxx (second color code for lid color), 1 per case
See page 43 for bonded option

NOTICE: For NSF certified skimmers, please contact your AquaStar Sales Representative. Lid, float valve, 4" socket, and 6" socket options are not NSF certified.

SPS 3 & NSF 50 Compliant



- | | |
|-------------------|--|
| 1. Skimmer body | 10. Weir Clip, Qty 2 |
| 2. O-Ring | 11. Gasket, Qty 2 |
| 3. 2" Port Plug | 12. Face Frame |
| 4. Float Assembly | 13. 12 x 1-1/4" Flat Head Phillips, 316 SS, Qty 16 |
| 5. Basket | 14. Decorative Cover |
| 6. Basket Rod | Also Included |
| 7. Collar | 15. 12 x 1-1/2" Pan Head Phillips, 316 SS, Qty 4 |
| 8. Lid | 16. 12 x 5/8" Pan Head Phillips, 316 SS, Qty 4 |
| 9. Weir Assembly | 17. Easy Clip Spacer, Qty 3 |

ADDITIONAL PRODUCT CONFIGURATIONS FOR SKR36XXX

9" Ultra Basket

Designed for commercial and residential use, 15 GPM min, 90 GPM max

Available 2" Socket Dual-Port, 4" Socket, 6" Socket, and Water Bonded

Example: SKR36101D-L= White Water Bonded Flow Star Skimmer with 4" Socket Sump and 9" Ultra Basket

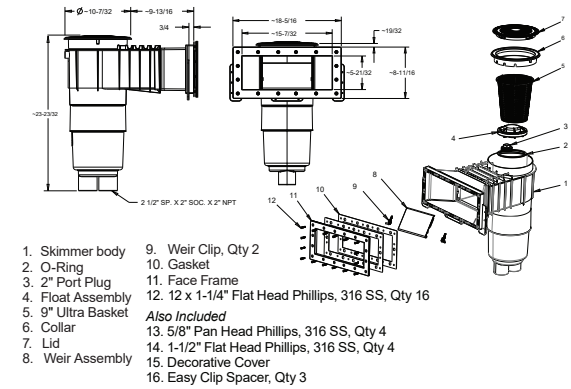
1 per case

STANDARD COLORS

- SKR36101-L – White
- SKR36103-L – Light Gray
- SKR36105-L – Dark Gray



Part #
SKR36xxx-L



Water Bonded

Designed for commercial and residential use, 15 GPM min, 90 GPM max

Bonding plate and copper wire connection meet NEC section 680.2 C. Conforms to UL 1081, UL 1563, CAN/CSA-C22.2

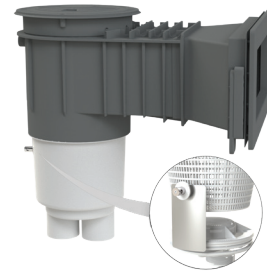
Bonding plate is safely placed behind the skimmer basket, for constant water contact, even when the pump is off

1 per case

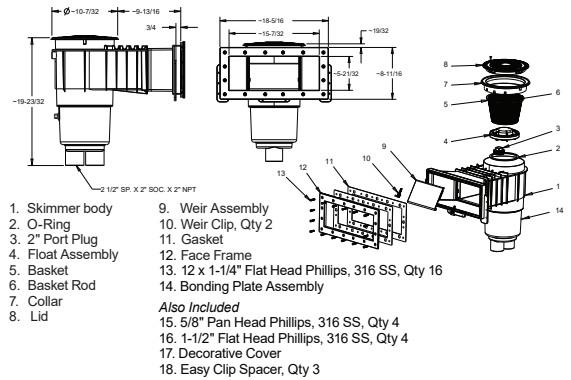
Also available with square lid and collar p/n SKR37xxx64xxx (second color code for lid color)

STANDARD COLORS

- 101
- 103
- 105



Standard Part # SKR36Bxxx
9" Ultra Basket Part # SKR36Bxxx-L



ADDITIONAL PORT CONFIGURATIONS FOR SKR36XXX AND SKR36XXX-L

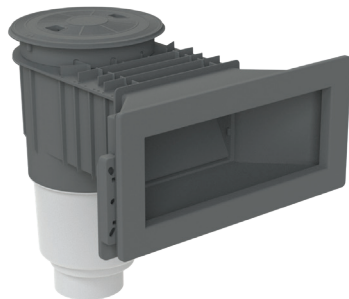
4" Socket Sump

Extra heavy duty PVC lower unit (no transitional glue required)

Standard
Part # SKR36xxxD

9" Ultra Basket
Part # SKR36xxxD-L

1 per case



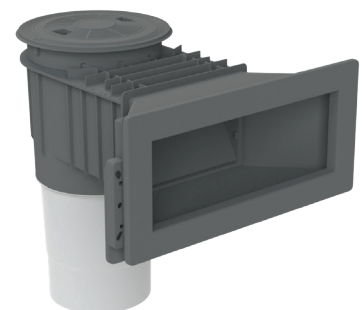
6" Socket Sump

Extra heavy duty PVC lower unit (no transitional glue required)

Standard
Part # SKR36xxxF

9" Ultra Basket
Part # SKR36xxxF-L

1 per case



VINYL BUILDER'S KITS - WIDE MOUTH SKIMMER WITH THREE-PIECE DECORATIVE FITTINGS



Convenient kits for vinyl pools and spas



ITEM DESCRIPTIONS

8MFSBVxxx

8" MoFlow® cover with vinyl ABS sump bucket

VGBA certified dual drain system, visit www.aquastarpoolproducts.com/flowcode for specifications

32CDFLVxxx

32" Channel Drain Flat Grate Suction Outlet Cover and ABS Three-Port Manufactured Sump for Vinyl

VGBA certified unblockable system, visit www.aquastarpoolproducts.com/flowcode for specifications

SKR36xxx64xxx

Flow Star wide mouth skimmer, flow assembly, basket, lid and adjustable collar

Designed for commercial and residential use, 15 GPM min, 90 GPM max

SKR37xxx64xxx

Flow Star wide mouth bonded skimmer, flow assembly, basket, lid and adjustable collar

Designed for commercial and residential use, 15 GPM min, 90 GPM max

SECxxx

3" skimmer extension collar

ES1408SLxx

4-Screw Vinyl Fitting with 1½" Socket

DCxxx

Three-Piece Decorative Cover

STANDARD COLORS

- 01 – White
- 03 – Light Gray
- 05 – Dark Gray



VGBA Vinyl Dual Drain System



Standard Wide Mouth Skimmer Kit

- 8MFSBVxxx – qty 2
- SKR36xxx64xxx – qty 1
- SECxxx – qty 1
- ES1408SLxx – qty 3
- DCxxx – qty 3

Part # VBK18xx
1 per case

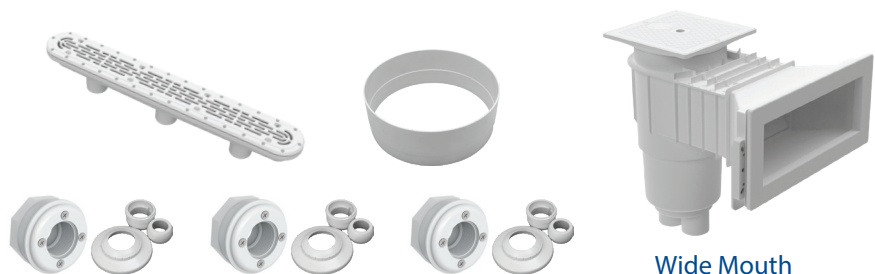
Bonded Wide Mouth Skimmer Kit

- 8MFSBVxxx – qty 2
- SKR37xxx64xxx – qty 1
- SECxxx – qty 1
- ES1408SLxx – qty 3
- DCxxx – qty 3

Part # VBK20xx
1 per case



VGBA Vinyl Single-Unblockable Drain System



Standard Wide Mouth Skimmer Kit

- 32CDFLVxxx – qty 1
- SKR36xxx64xxx – qty 1
- SECxxx – qty 1
- ES1408SLxx – qty 3
- DCxxx – qty 3

Part # VBK19xx
1 per case

Bonded Wide Mouth Skimmer Kit

- 32CDFLVxxx – qty 1
- SKR37xxx64xxx – qty 1
- SECxxx – qty 1
- ES1408SLxx – qty 3
- DCxxx – qty 3

Part # VBK21xx
1 per case

VINYL BUILDER'S KITS - WIDE MOUTH SKIMMER WITH FLUSH EYEBALL KITS



Convenient kits for vinyl pools and spas



ITEM DESCRIPTIONS

8MFSBVxxx

8" MoFlow cover with vinyl ABS sump bucket

VGBA certified dual drain system, visit www.aquastarpoolproducts.com/flowcode for specifications

32CDFLVxxx

32" Channel Drain Flat Grate Suction Outlet Cover and ABS Three-Port Manufactured Sump for Vinyl

VGBA certified unblockable system, visit www.aquastarpoolproducts.com/flowcode for specifications

SKR36xxx64xxx

Flow Star wide mouth skimmer, flow assembly, basket, lid and adjustable collar

Designed for commercial and residential use, 15 GPM min, 90 GPM max

SKR37xxx64xxx

Flow Star wide mouth bonded skimmer, flow assembly, basket, lid and adjustable collar

Designed for commercial and residential use, 15 GPM min, 90 GPM max

SECxxx

3" skimmer extension collar

ES1408SLxx

4-Screw Vinyl Fitting with 1½" Socket

JOxxx

Flush Retrofit eyeball

STANDARD COLORS

- 01 - White
- 03 - Light Gray
- 05 - Dark Gray



VGBA Vinyl Dual Drain System



Wide Mouth

Standard Wide Mouth Skimmer Kit

- 8MFSBVxxx - qty 2
- SKR36xxx64xxx - qty 1
- SECxxx - qty 1
- ES1408SLxx - qty 3
- JOxxx - qty 3

Part # VBK24xx
1 per case

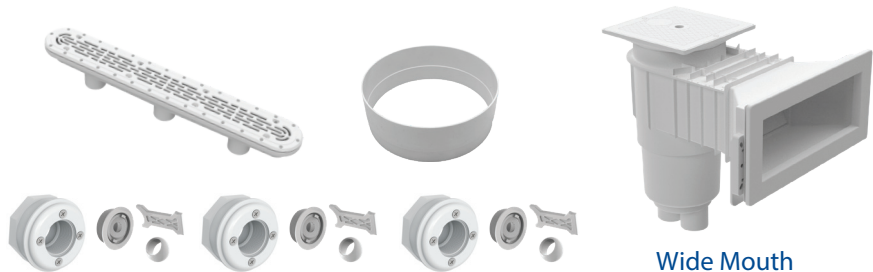
Bonded Wide Mouth Skimmer Kit

- 8MFSBVxxx - qty 2
- SKR37xxx64xxx - qty 1
- SECxxx - qty 1
- ES1408SLxx - qty 3
- JOxxx - qty 3

Part # VBK22xx
1 per case



VGBA Vinyl Single-Unblockable Drain System



Wide Mouth

Standard Wide Mouth Skimmer Kit

- 32CDFLVxxx - qty 1
- SKR36xxx64xxx - qty 1
- SECxxx - qty 1
- ES1408SLxx - qty 3
- JOxxx - qty 3

Part # VBK25xx
1 per case

Bonded Wide Mouth Skimmer Kit

- 32CDFLVxxx - qty 1
- SKR37xxx64xxx - qty 1
- SECxxx - qty 1
- ES1408SLxx - qty 3
- JOxxx - qty 3

Part # VBK23xx
1 per case