

# FLOWSTAR® 3-WAY VALVE, 2" SOCKET X 2.5" SPIGOT



Tough maintenance-free valves



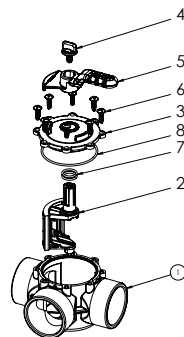
## FEATURES

- Made from durable CPVC
- Easy to install and operate
- Never requires lubrication
- Highly resistant to chlorine
- Minimal hydraulic loss
- Adjustable-stop feature allows for flow adjustment
- Available with rubberized handle for comfortable grip or standard plastic handle
- 12 per case

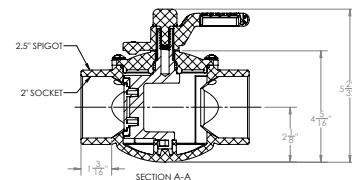
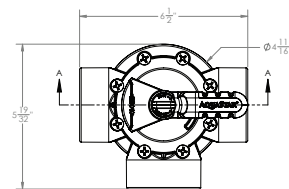
**NEW**



Part # AV3W20C-R (Rubberized Handle)  
Part # AV3W20C-P (Plastic Handle)



1. Valve Assembly, 3-Way, 2" Socket x 2.5 Spigot
2. Diverter Assembly
3. Cover
4. Thumb Screw
5. Handle
6. #1/4 x 3/4" LG. Pan Head Phillips, Type A Screw, 316 SS, Qty 8
7. O-Ring, #116, EPDM
8. O-Ring, #152, EPDM, Qty 2



## FLOWSTAR® DIVERTER REPLACEMENT KIT



Tough maintenance-free valves

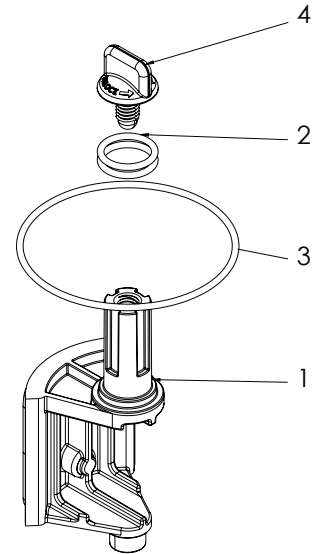


NEW



Part #  
AV2003  
12 per case

1. Diverter Valve
2. O-Ring, #116, EPDM
3. O-Ring, #152, EPDM
4. Thumb Screw



## FLOWSTAR® REPLACEMENT CHECK VALVE KIT



Durable and dependable check valves



NEW



Part #  
AV2004  
12 per case

1. Cover
2. Flapper Assembly
3. Pin
4. Spring
5. O-Ring, #152, EPDM

