

FLOWSTAR® SKIMMER WITH WATER STOP FACE, FLOAT ASSEMBLY, BASKET, LID AND ADJUSTABLE COLLAR

Built in conformance with NSF 50 and SPS 3 standards

FEATURES

Designed for commercial and residential use,
15 GPM min, 90 GPM max

Adjustable collar

New weir clip lock secures the clips in the
weir door

Self-contained gunite grip, water stop on the
faceplate to prevent water leaks

Large self-contained basket with lock-in feature
(will not float)

Underwater dampers on the faceplate for noise
reduction on weir plate – especially on windy days

Super strong engineered polymer upper housing

Extra heavy duty PVC lower unit
(no transitional glue required)

2½" outside slip and 2" inside slip
(outside skimmer)

2" threads for pressure testing (inside skimmer)

Built-in overflow or fill line knock out

Upper housing has pre-cut rebar cutouts with
pre-drilled holes for tie wire

Skimmer Lid and Collar G154 UV tested

Optional custom name/logo engraved on the lid
(requires minimum 500 piece lid order)

1 per case

Two additional lid options available (sold separately):
square or snap-in round/square



Part # SKR1xx




Optional vacuum plate with
snap-in lug can be glued in under
lid for easy storage p/n SK43101




Optional BFB adapter converts
skimmer fittings to 4" or 3" tee
for improved hydraulics and code
compliance p/n BFB101

STANDARD COLORS

 SKR101 – White

 SKR103 – Light Gray

 SKR105 – Dark Gray

Available with 3" extension collar
p/n SKR19xxx

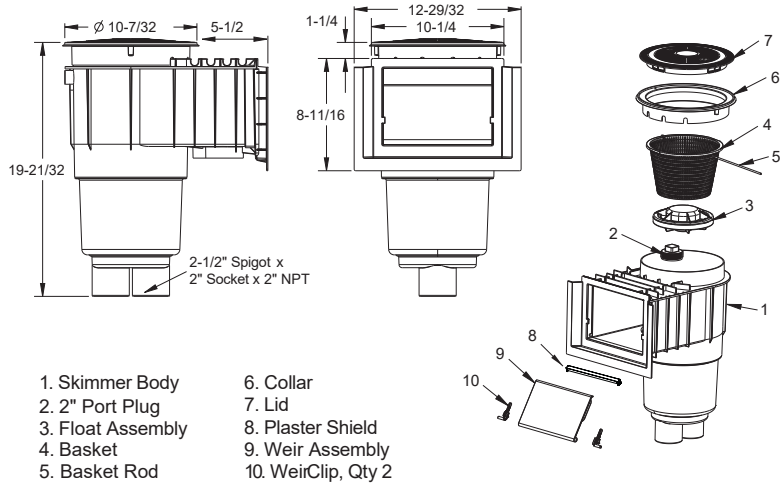
Snap-in Round/Square Lid and Collar
(sold separately) p/n SK65xxx

Square Lid and Collar (sold separately)
p/n SK64xxx

Available without lid and collar
SKR1NL101 (white only)

NOTICE: For NSF certified skimmers, please
contact your AquaStar Sales Representative.
Lid, float valve, 4" socket, and 6" socket
options are not NSF certified.

SPS 3 & NSF 50 Compliant



ADDITIONAL PRODUCT CONFIGURATIONS FOR SKR1XX

9" Ultra Basket

Designed for commercial and residential use, 15 GPM min, 90 GPM max

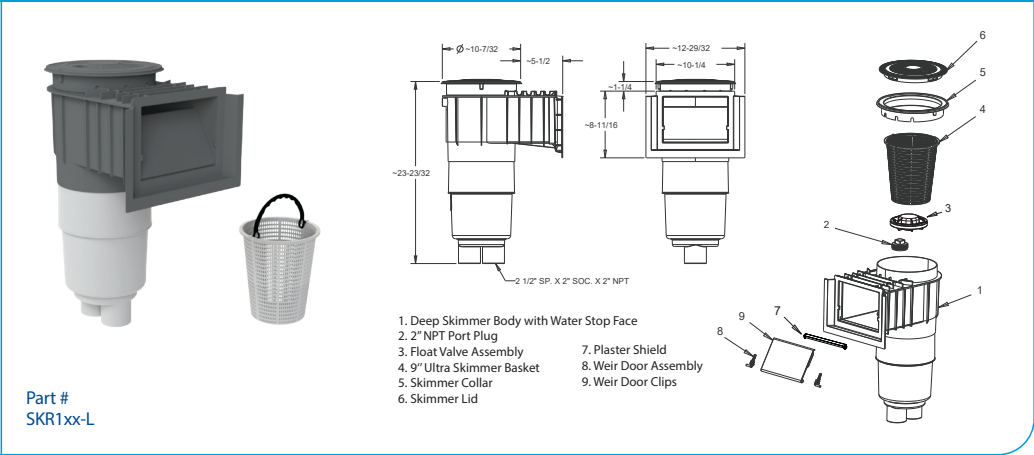
Available 2" Socket Dual-Port, 4" Socket, 6" Socket, and Water Bonded

Example: SKR101D-L= White FlowStar® Water Stop with 4" Socket Sump and 9" Ultra Basket

1 per case

STANDARD COLORS

- SKR101-L – White
- SKR103-L – Light Gray
- SKR105-L – Dark Gray



Water Bonded

Designed for commercial and residential use, 15 GPM min, 90 GPM max

Bonding plate and copper wire connection meet NEC section 680.2 C.

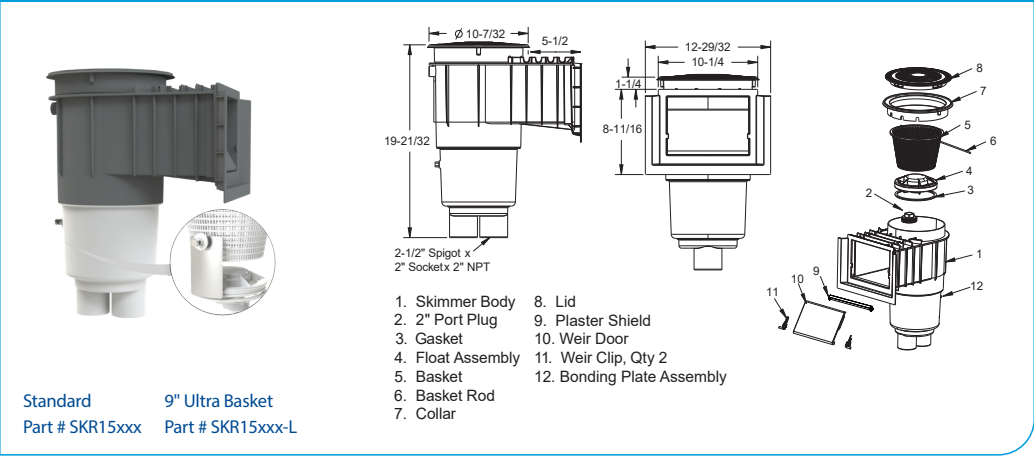
Conforms to UL 1081, UL 1563, CAN/CSA-C22.2

Bonding plate is safely placed behind the skimmer basket, for constant water contact, even when the pump is off

1 per case

STANDARD COLORS

- 101
- 103
- 105



ADDITIONAL PORT CONFIGURATIONS FOR SKR1XX AND SKR1XX-L

4" Socket Sump

Extra heavy duty PVC lower unit (no transitional glue required)

Standard Part # SKR1xxD

9" Ultra Basket Part # SKR1xxD-L

1 per case



6" Socket Sump

Extra heavy duty PVC lower unit (no transitional glue required)

Standard Part # SKR1xxF

9" Ultra Basket Part # SKR1xxF-L

1 per case



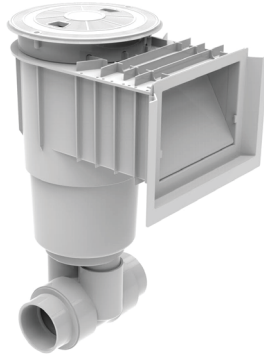
SKIMMER ACCESSORIES

STANDARD COLORS 101 102 103 105 108

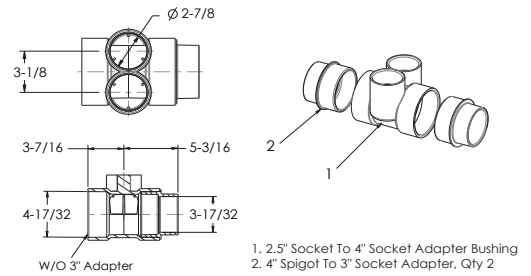
Adaptor Bushing

FEATURES

Eliminates the need to reduce down 4" or 3" plumbing when connecting to a skimmer with a dual-port PVC sump
 Converts two 2½" spigot to 4" or 3" T
 Includes two 4" x 3" reducer bushings
 Shown as an example only – parts are sold separately
 1 per case



Part # SKR1xx with BFB101



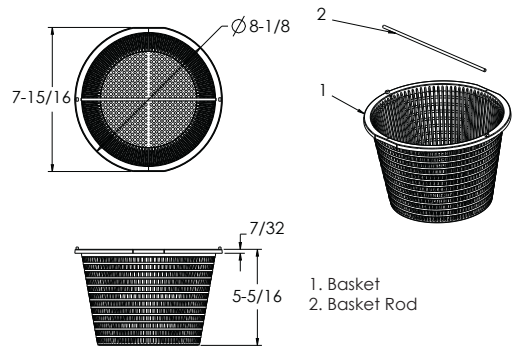
Skimmer Basket

FEATURES

Polypropylene basket locks in to remain in place during on and off pump cycles
 Fits all standard skimmers
 50 per case



Part # SK6



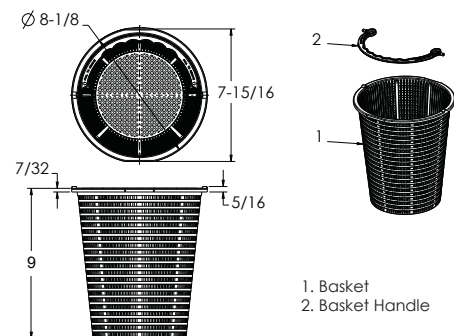
9" Ultra Skimmer Basket

FEATURES

9" polypropylene Ultra Basket locks in to remain in place during on and off pump cycles
 Fits all 9" Ultra Basket models
 50 per case



Part # SK96



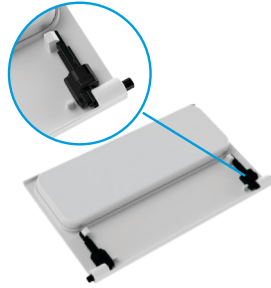
SKIMMER ACCESSORIES

STANDARD COLORS 101 102 103 105 108

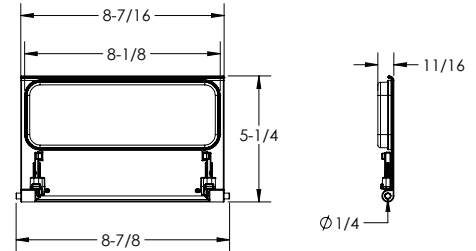
Weir Plate Assembly for Standard & Vinyl/Fiberglass Skimmers

FEATURES

Includes weir clip locks to secure weir clips in place
Also available only weir clips, part # SK902
24 per case



Part # SKWDxxx



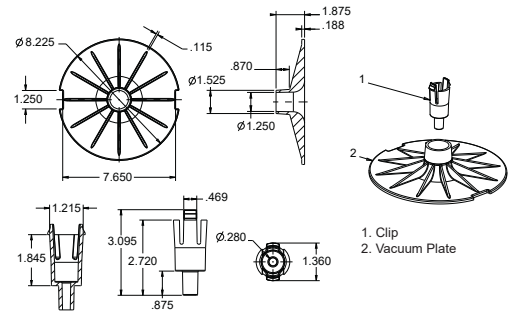
Vacuum Plate

FEATURES

Snaps under skimmer lid for easy storage
White only
25 per case



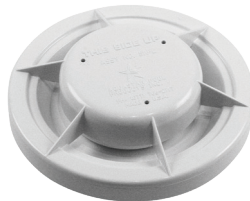
Part # SK43101



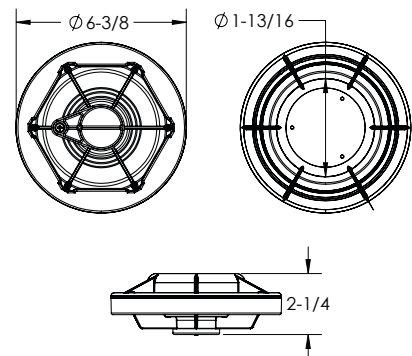
Float Assembly

FEATURES

Includes O-ring gasket and flow adjustment flap
White only
24 per case



Part # SKFL101



SKIMMER ACCESSORIES

STANDARD COLORS 101 102 103 105 108

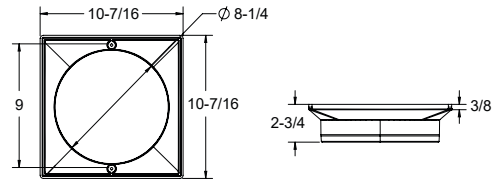
Square Skimmer Collar

FEATURES

Adjustable collar levels out uneven surfaces
Fits AquaStar and most standard skimmers=
6 per case



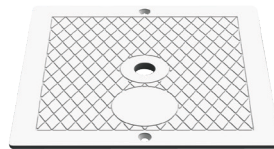
Part # SK61xxx



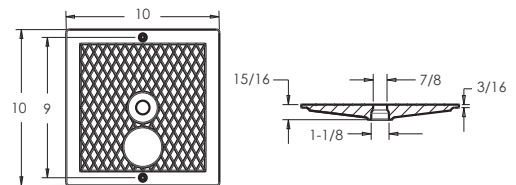
Square Skimmer Lid

FEATURES

UV tested to latest standard
Optional custom name/logo insert p/n SK63xxxA (minimum 500-piece order)
Fits AquaStar and most standard square skimmer collars
24 per case



Part # SK63xxx



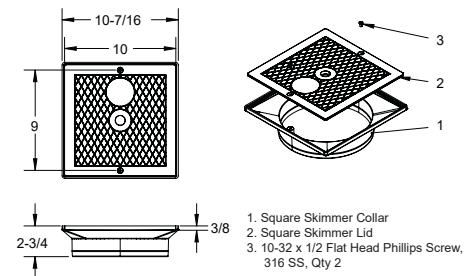
Square Skimmer Lid and Collar

FEATURES

UV tested to latest standard features
Optional custom name/logo insert p/n SK64xxxA (minimum 500 piece order)
Fits AquaStar and most standard skimmers
6 per case



Part # SK64xxx



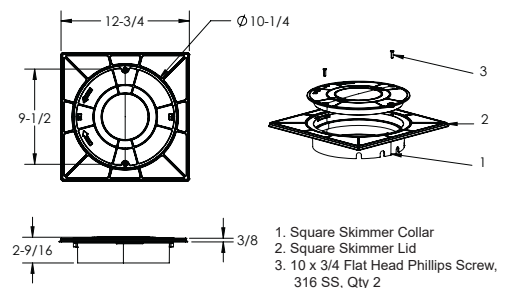
Round/Square Snap-in Lid and Collar

FEATURES

Round lid snaps into square housing
UV tested to latest standard
Optional custom name/logo insert p/n SK65xxxA (minimum 500-piece order)
Fits AquaStar and most standard skimmers
8 per case



Part # SK65xxx



SKIMMER ACCESSORIES

STANDARD COLORS 101 102 103 105 108

Round Skimmer Lid

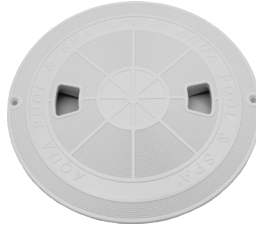
FEATURES

UV tested to latest standard

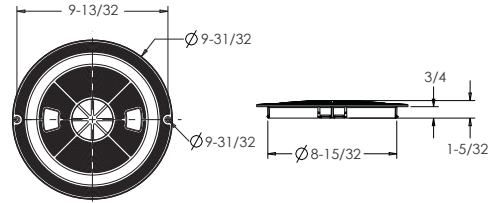
Optional custom name/
logo insert p/n RTxxxA
(min 500 piece order)

Fits AquaStar and most standard round
skimmer collars

25 per case



Part # RTxxx



Adjustable Round Skimmer Collar

FEATURES

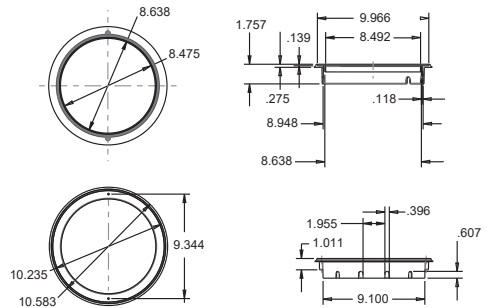
Adjustable collar levels
out uneven surfaces

Fits AquaStar and most standard
skimmers

20 per case



Part # SK5xxx



Round Skimmer Lid and Collar

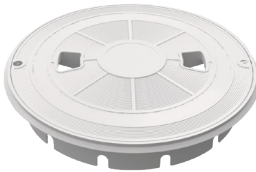
FEATURES

UV tested to latest standard

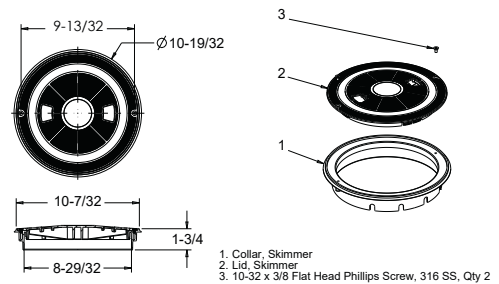
Optional custom name/logo insert p/n
SKRTxxxA (min 500 piece order)

Fits AquaStar and most standard
skimmers

25 per case



Part # SKRTxxx



3" Skimmer Extension Collar

FEATURES

Stack multiple collars to reach desired
deck or bond beam height

Fits into AquaStar and most standard
round skimmer collars

20 per case



Part # SECxxx

