



*Designed for Fun, Built to Last™*

# GENEVA DARTBOARD & CABINET SET ASSEMBLY INSTRUCTIONS



**Please Do Not Hesitate to  
Contact Our Consumer Hotline  
at 800-759-0977  
with Any Questions That May  
Arise During Assembly or  
Use of This Product!**

# THANK YOU!

**Thank you for purchasing this product.** We work around the clock and around the globe to ensure that our products maintain the highest possible quality. However, in the rare case of issues during assembly or use of this product, please contact our Consumer Hotline at **800-759-0977** for immediate assistance before contacting your retailer. Please read the warranty information at the back of these assembly instructions for further details.

## ASSEMBLY TIPS

### IMPORTANT! PLEASE READ THESE ASSEMBLY INSTRUCTIONS IN ENTIRETY BEFORE ASSEMBLING YOUR PRODUCT.

1. Find a clean, level surface to begin the assembly of your dart board. We recommend that two adults work together to assemble this game. You may want to carefully cut or tear the four corners of the box so that the bottom of the box can be used as your work surface.
2. Remove all of the contents from box and verify that you have all of the parts shown on the Parts List before you begin assembly. **Note: Some parts may be pre-installed or pre-assembled.**
3. Some figures or drawings may not look exactly like product.
4. **When installing parts that have more than one screw or bolt, hand tighten all screws or bolts in place before final tightening with screwdriver or wrench.**
5. Electric screwdrivers may be helpful during assembly; however, please set a **low torque** and use extreme caution because screws may be stripped or overtightened, resulting in damaged parts, if the electric screwdriver's torque is set too high.



## CARE AND USE

1. This product is intended for **INDOOR** use only.




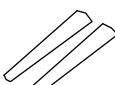

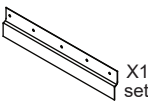

# GENEVA DART CABINET SET - BG50394

## Parts List



Illustrations Not to Scale

### PARTS

<b>#1</b> NGP5610  X1 DARTBOARD	<b>#12</b> NGP5615  X3 DARTS - AMERICAN FLAG SINGLE	<b>#13</b> NGP5616  X3 DARTS - BRITISH FLAG SINGLE	<b>#14</b> NGP7886  X2 CHALK	<b>#15</b> NGP7887  X1 ERASER	<b>#6</b> NGP7706  X1 set HANGING PLATE	<b>#17</b> NGP7888  X1 set Pre-assembled LED LIGHT
---	---	--	--	--	---	--

### HARDWARE PACK - NGP8023

<b>#3</b> X9  2" SCREW	<b>#4</b> X4  WASHER	<b>#5</b> X5  PLASTIC ANCHOR	<b>#21</b> X2  DOOR KNOB	<b>#22</b> X2  1/8" X 3/4" BOLT	ADDITIONAL EQUIPMENT REQUIRED:  PHILLIPS HEAD SCREWDRIVER	ADDITIONAL EQUIPMENT REQUIRED:  4 AA BATTERIES (NOT INCLUDED)
---	---	---	---	---	--	--

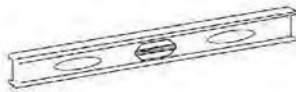
# PARTS IDENTIFIER (Not to Scale)

#1  <b>BRISTLE DARTBOARD</b> (1 PC)	#6  <b>HANGING PLATE</b> (1 PC)	#3  <b>2" SCREW</b> (50mm - 9PCS)	#4  <b>WASHER</b> (15mm - 4PCS)	#5  <b>PLASTIC ANCHOR</b> (5 PCS)	#18: PRE-ASSEMBLED  <b>DARTBOARD MOUNTING SCREW</b> (1 PC)
#7: PRE-ASSEMBLED  <b>RUBBER BUMPER</b> (3 PCS)	#8: PRE-ASSEMBLED  <b>BUMPER NAIL</b> (3 PCS)	#9: PRE-ASSEMBLED  <b>DARTBOARD MOUNTING BRACKET</b> (1 PC)	#10: PRE-ASSEMBLED  <b>SMALL MOUNTING BRACKET BOLT</b> (2 PCS)	#11: PRE-ASSEMBLED  <b>SMALL MOUNTING BRACKET NUT</b> (2 PCS)	#17: PRE-ASSEMBLED  <b>LED LIGHT</b> (1 SET)

## Additional equipment required:



**STUD FINDER**



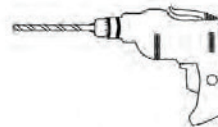
**LEVEL**



**PHILLIPS SCREWDRIVER**



**ELECTRIC SCREWDRIVER**



**ELECTRIC DRILL and DRILL BIT**



**HAMMER**



**MARKING PENCIL**



**TAPE MEASURE**

*Electric Screwdrivers may be helpful during assembly; however, please set a low torque and use extreme caution because screws may be stripped or overtightened if the electric screwdriver's torque is set too high.*

*Some figures or drawings may not look exactly like your product. Please read and understand the text before beginning each assembly step.*

Please use Parts List on page 3 of manual for Part Numbers when ordering parts. For replacement parts please call 800-759-0977.

## **WARNINGS!**

**READ AND FOLLOW ALL ASSEMBLY, INSTALLATION, AND SAFETY INSTRUCTIONS CAREFULLY. AT LEAST TWO ADULTS ARE NEEDED FOR THE INSTALLATION OF THIS CABINET.**

**DARTS ARE NOT A TOY FOR USE BY CHILDREN. THEY MAY CAUSE SERIOUS OR FATAL INJURY. KEEP OUT OF REACH OF CHILDREN. DO NOT USE WHEN ANY PERSON OR ANIMAL IS IN THE VICINITY OF THE INTENDED FLIGHT PATH OF THE DART OR TARGET AREA.**

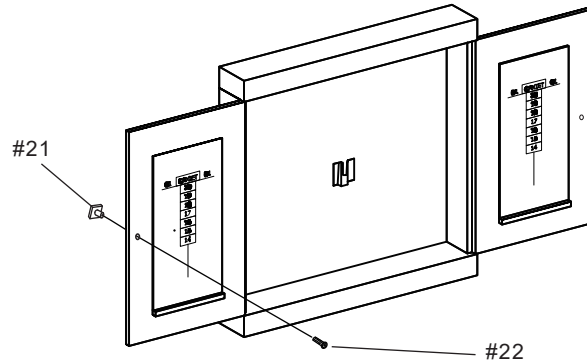
# DARTBOARD INSTALLATION INSTRUCTIONS

Cabinet Mounting Hardware for mason, concrete, or brick walls is not included. Please purchase the necessary hardware from your local hardware store, and be sure to tell the hardware person the exact type of wall to which you are mounting the cabinet. Ask them to provide hardware that will support up to 60 pounds of weight. It is very important to use correct hardware for your particular wall in order to avoid injury or damage. The following instructions concern mounting your Dartboard Cabinet to a standard drywall or plaster wall with wood studs. There are two options for attaching your Dartboard Cabinet to a standard drywall or plaster wall..

## OPTION 1:

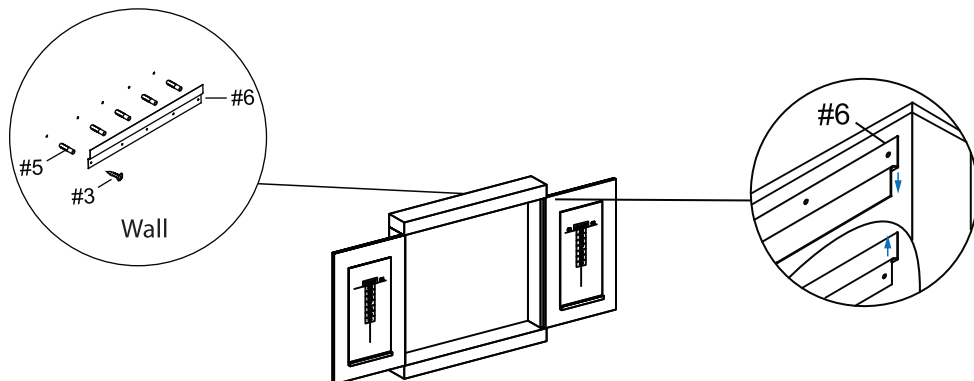
Attach the door knob (#21) to the door by using the bolt (#22).

Figure 1



Step 1: One **Hanging Plate (#6)** has been mounted to the top of your Dartboard Cabinet. The other one, from parts, will be mounted to wall studs, or use **Plastic Anchors (#5)** if in drywall. Have someone hold Cabinet (without the **Bristle Dartboard (#1)**) to the desired location and height (distance from bull's eye to the ground should measure 5' 8") on your wall and use a pencil to mark a level line where the holes will be drilled for hanger. Make sure holes are drilled deep enough to ensure the **Plastic Anchors (#5)** are flush with the wall.

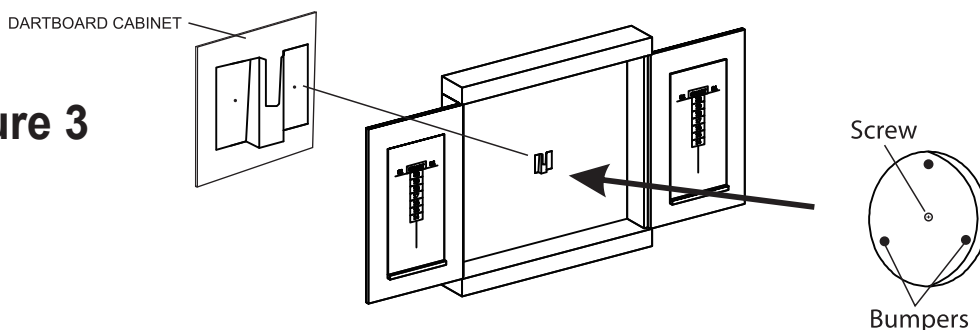
Figure 2



Step 2: Select a drill bit that is roughly the same diameter as the **Plastic Anchors (#5)** included in the hardware pack. Once holes have been drilled, use a hammer and tap the **Plastic Anchors (#5)** into the holes. After the anchors are secure, attach the **Hanging Plate (#6)** using **2" Screws (#3)**.

Step 3: Once the **Hanging Plate (#6)** has been attached to the wall, hang the Cabinet (without the **Bristle Dartboard (#1)**) using the pre-installed cabinet hanging plate onto the wall. Next, hang the **Bristle Dartboard (#1)** onto the **Dartboard Mounting Bracket (#9)** that is pre-installed on the inside of the Cabinet.

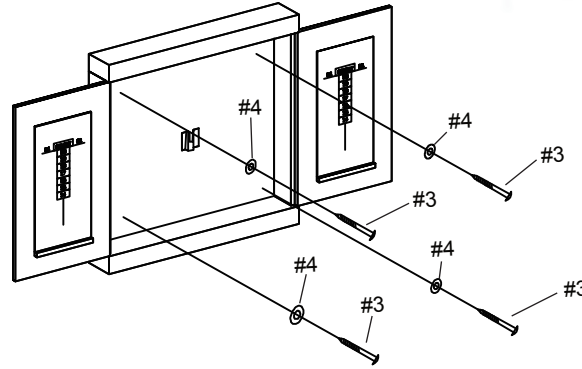
Figure 3



## OPTION 2:

Step 1: Four holes have been pre-drilled inside the Dartboard Cabinet, approximately 16 inches apart. Have someone hold the Cabinet (without the **Bristle Dartboard (#1)**) to the desired place and height (distance from bull's eye to the ground should measure 5 feet 8 inches) on your wall, and use a pencil to mark the places where the **2" Screws (#3)** will be drilled into the wall. Remove the Cabinet from the wall and double-check the pencil marks to ensure that the holes will be drilled into the wood studs.

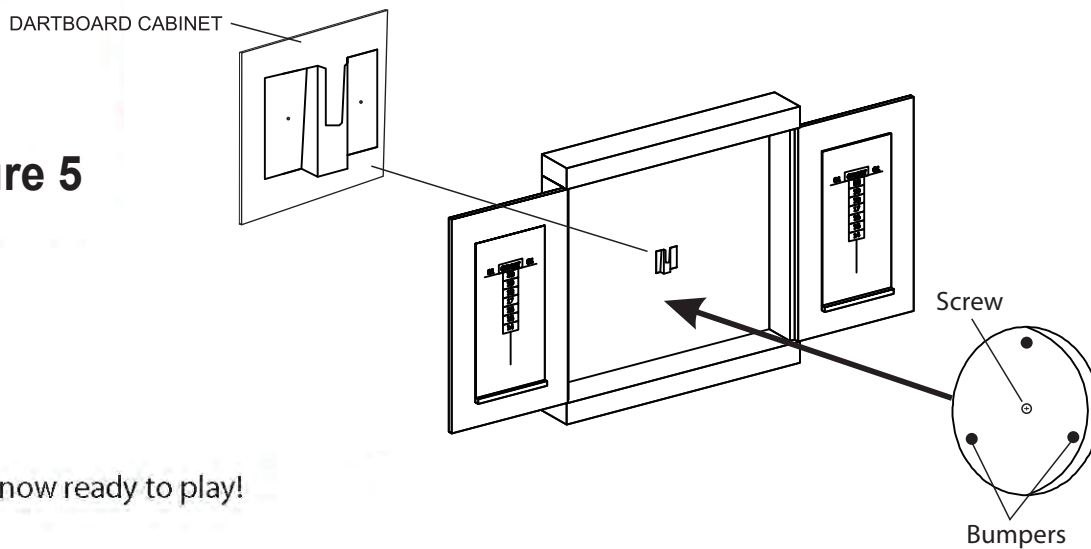
Figure 4



Step 2: Once you are certain the marks are at the proper height and they are located at the wood studs, have someone hold the Dartboard Cabinet (without the **Bristle Dartboard (#1)**) against the wall. Make sure that the four holes in the Cabinet are lined up with your previous pencil marks. Now use an electric screwdriver to screw the **2" Screws (#3)** with **Washers (#4)** directly into the wall making sure to drill into the wood studs.

Step 3: Once the Cabinet is securely fastened to the wall, you may hang the **Bristle Dartboard (#1)** onto the **Dartboard Mounting Bracket (#9)** that is pre-installed on the inside of the cabinet. To do this, slip the screw that is on the back center of the **Bristle Dartboard (#1)** into the opening of the **Dartboard Mounting Bracket (#9)**.

Figure 5



You are now ready to play!

## General Rules of Darts

There are many different types of dart games. Two of the most popular are "Cricket" and "01". There are numerous versions of "01", like 301, 501, 601, 801, etc. No matter which variation of the game you decide to play, the basic rules of darts remain the same. The following information includes overview of dart rules, some fundamentals, and a few tips to keep your game on target.

### Players

Darts is played between two people or two teams. All players are allowed up to nine pre-game throws to warm up before the game begins. To determine who starts the game, each person (or one person from each team) throws a dart. The one closest to the bulls eye gets the first turn.

### Throw Line

Players cannot let their feet cross the throw line. Should a foot go over the line during a throw the points will not count. This throw cannot be redone.

### Throws

Each player throws three darts in a turn. The dart must stay on the board for at least five seconds after the last dart is thrown in order for the point to be counted. If a dart falls to the floor or sticks to another dart on the board, the points will not be counted.

### Scoring

For darts that stay on the board, points are assigned based upon the ring in which it rests. The rings and their corresponding points are as follows:

The Wedge (Outer Ring) — Points equal the number that is indicated in the ring on the board.

Double Ring (The Outer, Narrow Ring) — Any number the dart hits is multiplied by 2.

Triple Ring (The Inner, Narrow ring) — Any number the dart hits is multiplied by 3.

Bull's Eye (The Outer Bull's Eye) — 25 Points.

Double Bull's Eye (The Inner Bull's Eye) — 50 Points.

## Dart Throwing Tips

With darts, it's all about the throw. Here are some basic tips to help you hit the bulls eye.

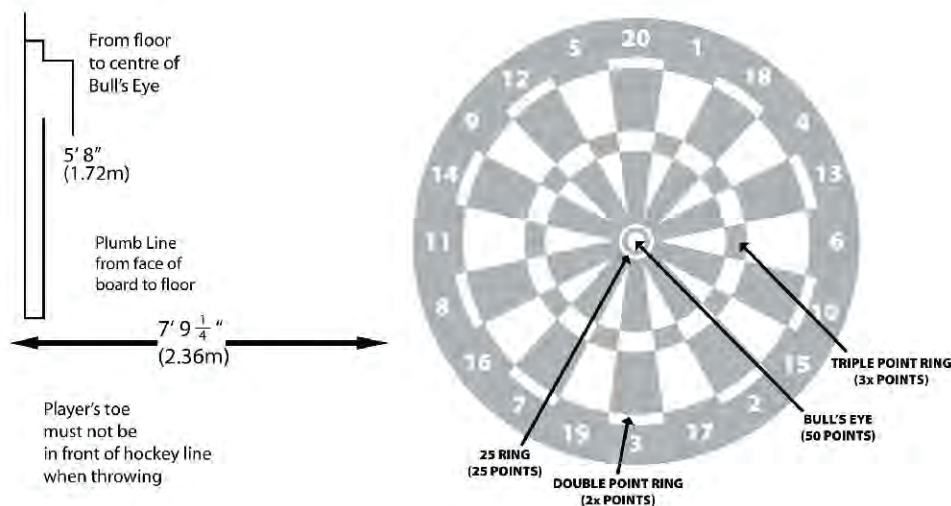
Stance — Posture is critical in getting an even and steady throw to your target. Resist lunging forward or even lifting a foot off the ground. Try to maintain a balanced and steady stance, keeping the throw isolated to the forearm, wrist and fingers.

Throw — Try not to throw your darts. Rather, place the dart right where you want it with a smooth and steady toss that follows all the way through to the target. Keep the dart level and avoid spin as you release to create the most efficient flight to the dart board.

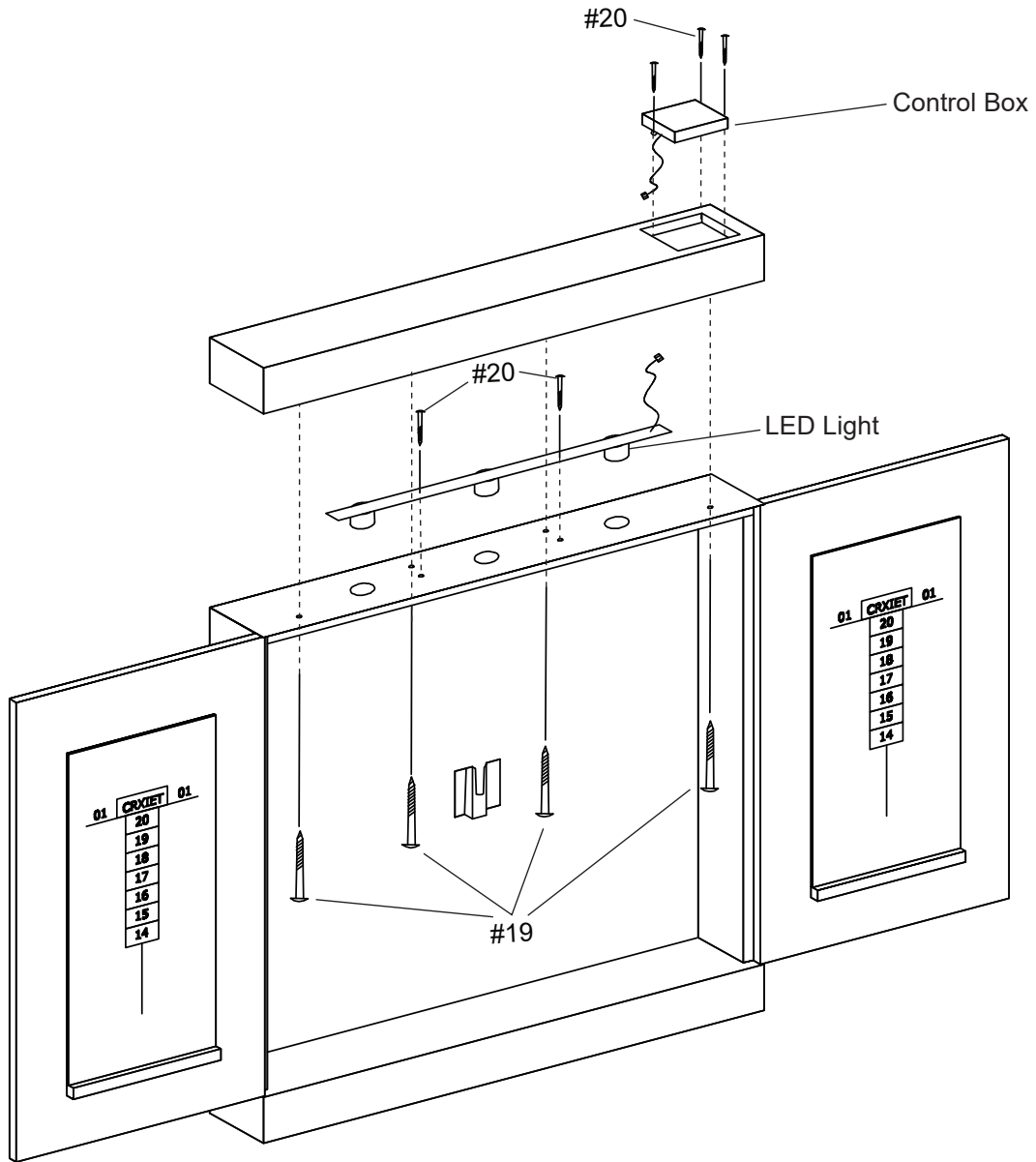
## Standard Straight 501:

1. Each Player (or Team) will be starting with 501(301 or 1001 depending on size of teams).
2. To win the Player (or Team) will need to reduce their points to 0.
3. The last dart in the \*Leg must either hit a double or the inner section of the Bull's Eye and must reduce the score to exactly 0. Successfully doing so results in "Doubling Out" or "Checking Out".
4. Having a dart thrown that would result in a score less than zero will not count! The Player's current score will be reset to the previous turn.
5. For the purposes of Rule 3, "Bull's-Eye" counts as double 25.


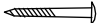

**\*Leg:** Each game is called a Leg. 3 Legs make a Match and the winner is the player who wins 2 of 3 legs. These can be varied.



# LIGHTING SYSTEM REPLACEMENT



## PRE-ASSEMBLED PARTS

#17 PRE-ASSEMBLED	#19 PRE-ASSEMBLED	#20 PRE-ASSEMBLED
 <p>X1 set LED LIGHT</p>	 <p>X4 SCREW 3.5 X 25MM</p>	 <p>X5 SCREW 3.5 X 12MM</p>



# 180-DAY LIMITED WARRANTY

This product is warranted to the original purchaser to be free from defects in material or workmanship for a period of 180 days from the date of the original retail purchase.

This warranty does not cover defects or damage due to improper installation, alteration, accident or any other event beyond the control of the manufacturer. Defects or damage resulting from misuse, abuse or negligence will void this warranty. This warranty does not cover scratching or damage that may result from normal usage.

This product is not intended for institutional or commercial use; the manufacturer does not assume any liability for such use. Institutional or commercial use will void this warranty.

This warranty is nontransferable and is expressly limited to the repair or replacement of the defective product. During the warranty period, the manufacturer shall repair or replace defective parts at no cost to the purchaser. Shipping charges and insurance are not covered and are the responsibility of the purchaser. Labor charges and related expenses for removal, installation or replacement of the product or components are not covered under this warranty.

The manufacturer reserves the right to make substitutions to warranty claims if parts are unavailable or obsolete.

The manufacturer shall not be liable for loss of use of the product or other consequential or incidental costs, expenses or damages incurred by the consumer of any other use. The user assumes all risk of injury resulting from the use of this product.

This warranty is expressly in lieu of all other warranties, expressed or implied, including warranties of merchantability or fitness for use to the extent permitted by Federal or state law. Neither the manufacturer nor any of its representatives assumes any other liability in connection with this product.

**All warranty claims must be made through the retailer where the product was originally purchased. A purchase receipt or other proof of date of purchase will be required to process all warranty claims. The model number and part numbers found within the assembly instructions will be required when submitting any parts requests or warranty claims.**

**For further warranty information or inquiries, please call 800-759-0977**



*Designed for Fun, Built to Last™*

# JEU DE FLÉCHETTES ET ARMOIRE GENEVA INSTRUCTIONS D'ASSEMBLAGE



Contactez notre  
service à la clientèle au  
**800-759-0977**  
avec des questions sur le montage  
ou l'utilisation de ce produit.

# MERCI!

**Merci d'avoir acheté notre produit.** Nous travaillons 24 heures sur 24, partout dans le monde, à garantir que nos produits sont de la meilleure qualité possible. Toutefois, dans les rares cas de problèmes lors du montage ou de l'utilisation de ce produit, se il vous plaît communiquer avec notre service à la clientèle au **800-759-0977** pour une aide immédiate avant de contacter votre revendeur. Pour obtenir de plus amples renseignements, veuillez lire l'information relative à la garantie au verso de ce guide d'instructions.

## INSTRUCTIONS D'ASSEMBLAGE

### IMPORTANT! VEUILLEZ LIRE, EN ENTIER, TOUTES LES INSTRUCTIONS AVANT D'ASSEMBLER VOTRE PRODUIT.

1. Trouver une surface propre et plane pour commencer l'assemblage de votre jeu de fléchettes. Nous recommandons que deux adultes travaillent ensemble pour assembler ce jeu. Vous voudrez peut-être couper ou déchirer soigneusement les quatre coins de la boîte pour que le fond de la boîte puisse servir de surface de travail.
2. Retirez le contenu de la boîte, avant de commencer l'assemblage, assurez-vous d'avoir toutes les pièces telles que listées et illustrées au tableau d'identification. **Avis : certaines pièces sont préassemblées ou préinstallées.**
3. Certaines illustrations ou dessins peuvent ne pas ressembler au produit que vous avez acheté.
4. **Quand vous fixez en place une pièce avec plus d'une vis ou écrou, veuillez, en premier, les visser à la main et terminer la fixation avec un tournevis ou une clé.**
5. Un tournevis électrique peut être utile lors de l'assemblage, mais veuillez le régler à **basse torque** et l'utiliser avec prudence; si la torque est trop élevée, la vis peut se défaire ou être trop serrée.



### ENTRETIEN ET USAGE

1. Ce produit doit être utilisé **À L'INTÉRIEUR** seulement.




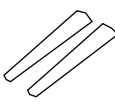

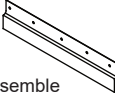
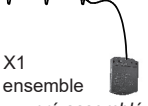
# JEU DE FLÉCHETTES ET ARMOIRE GENEVA - BG50394

## Liste des pièces




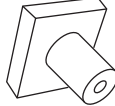
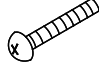




illustrations non à l'échelle

### PIÈCES

<b>#1</b> NGP5610  X1 CIBLE	<b>#12</b> NGP5615  X3 FLÉCHETTES (DRAPEAU AMÉRICAIN)	<b>#13</b> NGP5616  X3 FLÉCHETTES (DRAPEAU BRITANNIQUE)	<b>#14</b> NGP7886  X2 GRAIE	<b>#15</b> NGP7887  X1 GOMME	<b>#6</b> NGP7706  X1 ensemble PLAQUE SUSPENDUE	<b>#17</b> NGP7888  X1 ensemble pré assemblé LUMIÈRE LED
---	--	--	--	---	---	---

### SAC DE QUINCAILLERIE - NGP8023

<b>#3</b> X9  VIS (50mm)	<b>#4</b> X4  RONDELLE	<b>#5</b> X5  CHEVILLE EN PLASTIQUE	<b>#21</b> X2  BOUTON DE PORTE	<b>#22</b> X2  BOULON (19mm)	ADDITIONAL EQUIPMENT REQUIRED:  PHILLIPS HEAD SCREWDRIVER	ADDITIONAL EQUIPMENT REQUIRED:  4 AA BATTERIES (NOT INCLUDED)
---	---	---	---	--	--	--

# TABLEAU D'IDENTIFICATION (LES PIÈCES NE SONT PAS À L'ÉCHELLE)

<p>#1</p>  <p>CIBLE DE FLÉCHETTES EN CRIN 1 pièce</p>	<p>#6</p>  <p>PLAQUE SUSPENDUE 1 pièce</p>	<p>#3</p>  <p>VIS (50mm) 9 pièces</p>	<p>#4</p>  <p>RONDELLES (15mm) 4 pièces</p>	<p>#5</p>  <p>CHEVILLE D'ANCRAGE 5 pièces</p>	<p>#18: PRÉASSEMBLÉ</p>  <p>VIS DE FIXATION POUR CIBLE 1 pièce</p>
<p>#7: PRÉASSEMBLÉ</p>  <p>BUTOIR EN CAOUTCHOUC 3 pièces</p>	<p>#8: PRÉASSEMBLÉ</p>  <p>CLOU DE BUTOIR 3 pièces</p>	<p>#9: PRÉASSEMBLÉ</p>  <p>SUPPORT DE FIXATION POUR CIBLE 1 pièces</p>	<p>#10: PRÉASSEMBLÉ</p>  <p>PETIT BOULON DE FIXATION 2 pièces</p>	<p>#11: PRÉASSEMBLÉ</p>  <p>PETIT ÉCROU DE FIXATION 2 pièces</p>	<p>#17: PRÉASSEMBLÉ</p>  <p>LUMIÈRE LED 1 ensemble</p>

## Équipement additionnel requis



LOCALISATEUR DE MONTANTS



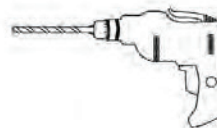
NIVEAU



TOURNEVIS CRUCIFORME



TOURNEVIS ÉLECTRIQUE



PERCEUSE ÉLECTRIQUE ET FORÈTS



MARTEAU



CRAYON MARQUEUR



RUBAN À MESURER

Les tournevis électriques peuvent être utiles pendant l'assemblage; cependant, sélectionnez une vitesse modérée et utilisez avec précaution afin d'éviter de trop serrer les vis ou de les endommager.

Certains dessins ou illustrations peuvent ne pas représenter exactement votre produit. Veuillez lire et comprendre les instructions au début de chaque étape.

**Veillez utiliser les pièces détachées à la page 3 du manuel pour les références de pièces lors de la commande de pièces. Pour les pièces de rechange, veuillez appeler le 800-759-0977.**

## AVERTISSEMENTS!

**LIRE ET SUIVRE ATTENTIVEMENT LES INSTRUCTIONS LIÉES À L'ASSEMBLAGE, À L'INSTALLATION ET À LA SÉCURITÉ. AU MOINS DEUX ADULTES SONT NÉCESSAIRES POUR L'INSTALLATION DE CETTE ARMOIRE.**

**LES FLÉCHETTES NE SONT PAS UN JOUET POUR LES ENFANTS. ELLES PEUVENT CAUSER DES BLESSURES GRAVES OU MORTELLES. TENIR HORS DE PORTÉE DES ENFANTS. NE PAS UTILISER LORSQU'UNE PERSONNE OU UN ANIMAL SE TROUVE À PROXIMITÉ DE LA TRAJECTOIRE DE LA FLÉCHETTE OU DE LA ZONE CIBLE.**

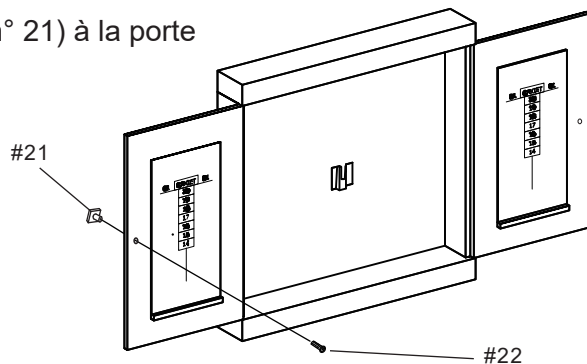
# INSTRUCTIONS D'INSTALLATION DU JEU DE FLÉCHETTES

La quincaillerie pour fixer une armoire à un mur de mortier, de briques ou de béton n'est pas incluse. Veuillez vous procurer le matériel nécessaire au quincaillier de votre quartier et n'oubliez pas de dire au commis sur quel type de mur vous fixez l'armoire; procurez-vous des supports pouvant supporter un poids de 27 kilos. Il est très important d'utiliser du matériel adéquat pour votre mur particulier afin d'éviter des blessures ou des dommages. Les instructions suivantes se rapportent au montage de votre armoire de fléchettes sur un mur de placoplâtre ou de plâtre standard avec des montants en bois. Il existe deux options pour fixer votre armoire de fléchettes sur un mur de placoplâtre ou de plâtre standard.

## OPTION 1:

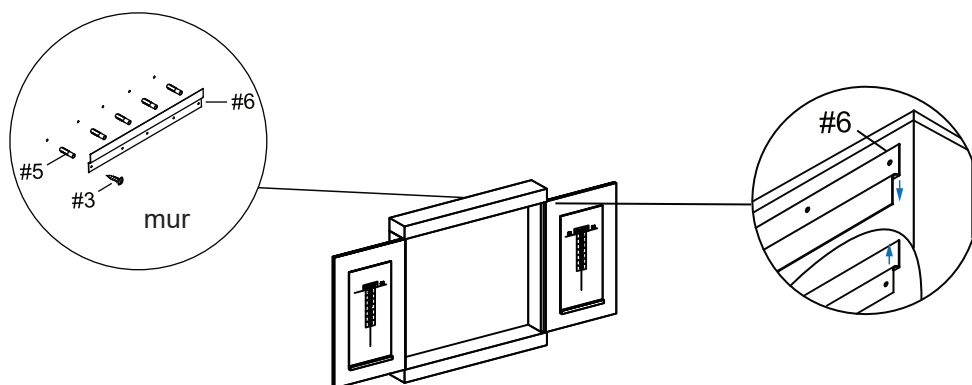
Fixez le bouton de porte (n° 21) à la porte à l'aide du boulon (n° 22)

Figure 1



Étape 1: Une plaque de suspension (n° 6) a été montée sur le dessus de votre armoire à fléchettes. L'autre, à partir des pièces, sera montée sur des poteaux muraux ou utilisera des ancrages en plastique (n° 5) s'il s'agit de cloisons sèches. Demandez à quelqu'un de tenir l'armoire (sans cible de fléchettes en crin n° 1) à la hauteur et à l'endroit souhaités (la distance située entre le centre de la cible et le sol doit être de 1,73 m) sur votre mur et utilisez un crayon marqueur pour indiquer les endroits sur le mur où percer les trous. Il est essentiel que les trous soient assez profonds pour y insérer les chevilles d'ancrage (n° 5) et les encastrer parfaitement dans le mur.

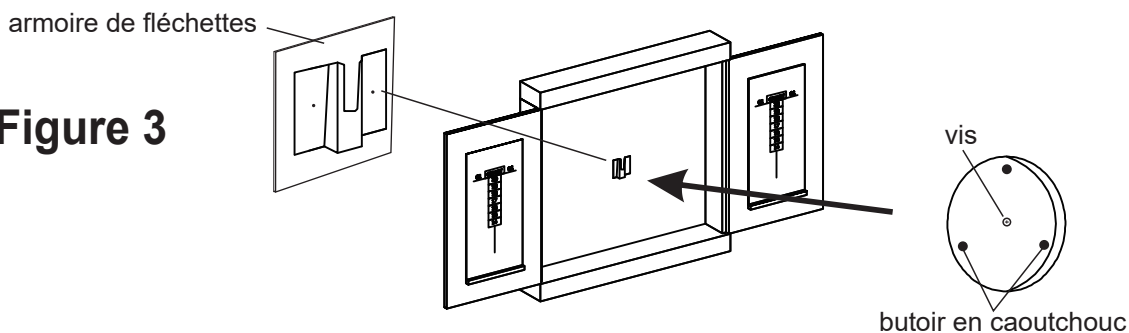
Figure 2



Étape 2: Sélectionnez une mèche qui est à peu près du même diamètre que les chevilles d'ancrage (n° 5). Une fois les trous percés, utilisez un marteau pour insérer les chevilles d'ancrage (n° 5) dans les trous. Une fois les chevilles d'ancrage (n° 5) insérées, vissez les vis (n° 3).

Étape 3: Après avoir fixé les vis (n° 3) au mur, accrochez l'armoire (sans cible de fléchettes en crin n° 1) en utilisant la plaque de suspension (n° 6) sur le mur. Ensuite, installez la cible de fléchettes en crin n° 1) sur le support de fixation de cible (n° 9) déjà installé à l'intérieur de l'armoire.

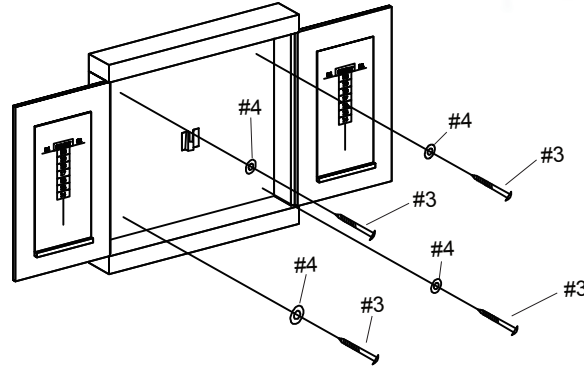
Figure 3



## OPTION 2:

Étape 1: Quatre trous ont été percés à l'intérieur de l'armoire de jeu de fléchettes, à environ 41 cm de distance. Demandez à quelqu'un de tenir l'armoire (sans cible de fléchettes en crin n° 1) à la hauteur et à l'endroit souhaités (distance du centre de la cible au sol doit être de 1,73 m) sur votre mur et utilisez un crayon marqueur pour indiquer les endroits sur le mur où les vis (n° 3) seront fixées au mur. Retirez l'armoire et vérifiez les endroits marqués au crayon pour vous assurer que les trous seront percés dans les montants de bois.

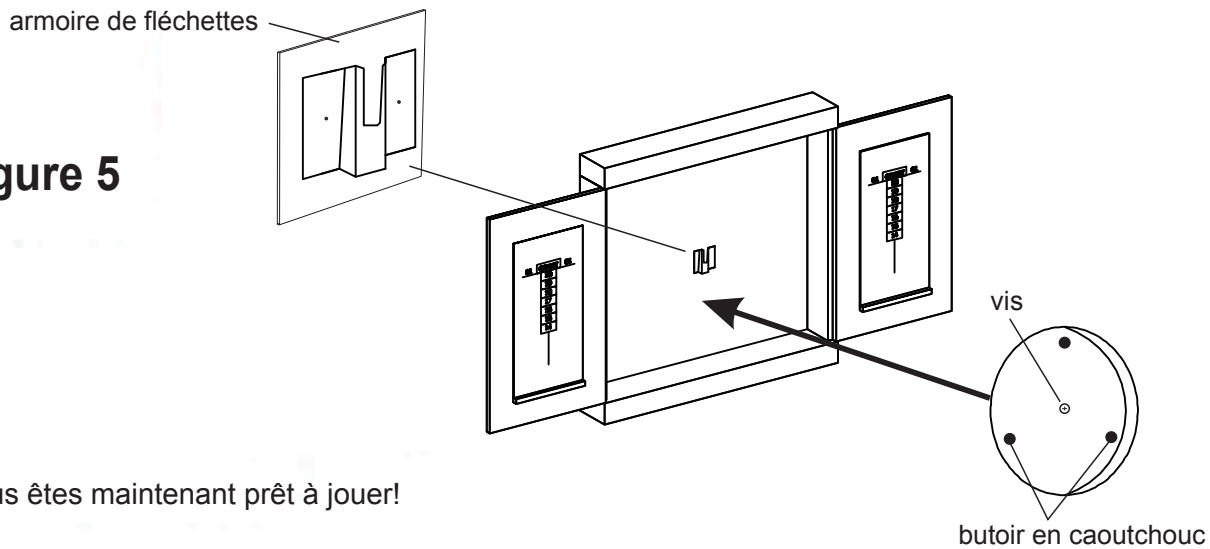
Figure 4



Étape 2: Une fois que vous êtes certain que les marques sont à la hauteur désirée, et qu'elles sont sur les montants de bois, demandez à quelqu'un de tenir l'armoire (sans cible de fléchettes en crin n° 1) contre le mur. Assurez-vous que les quatre trous dans l'armoire sont alignés avec vos marques de crayon. Maintenant, utilisez un tournevis électrique et vissez les vis (n° 3) et les rondelles (n° 4) directement dans le mur en vous assurant de percer des trous dans les montants en bois.

Étape 3: Une fois que l'armoire est fixée solidement au mur, accrochez la cible de fléchettes en crin (n° 1) sur le support de fixation (n° 9) préinstallé à l'intérieur de l'armoire. Pour ce faire, insérez la vis située à l'arrière et au centre de la cible de fléchettes en crin (n° 1) dans le support de fixation de cible (n° 9).

Figure 5



Vous êtes maintenant prêt à jouer!

## Règles générales pour jouer aux fléchettes

Il existe plusieurs types de jeux de fléchettes différents. Les deux jeux les plus populaires sont « Cricket » et « 01 ». Il existe de nombreuses versions du « 01 », comme le 301, le 501, le 601, le 801, etc. Qu'importe la variante du jeu que vous décidez de jouer, les règles de base du jeu de fléchettes sont les mêmes. Les informations suivantes présentent un aperçu des règles aux fléchettes ainsi que certains principes de base et quelques conseils pour vous avoir de meilleurs résultats.

### Joueurs

Deux personnes ou deux équipes peuvent jouer aux fléchettes. En guise de réchauffement, tous les joueurs sont autorisés à exécuter jusqu'à neuf lancers avant que le match commence. Pour déterminer qui jouera en premier, chaque joueur ou équipe lance une fléchette et celui qui place sa fléchette le plus près du centre de la cible joue en premier.

### Ligne de tir

Les joueurs ne doivent pas laisser leurs pieds franchir la ligne de tir. Dans le cas où le pied dépasse la ligne durant un lancer, les points ne comptent pas. Ce lancer ne peut pas être repris.

### Lancers

Pour un tour, chaque joueur lance trois fléchettes. La fléchette doit adhérer à la cible pendant au moins cinq secondes après que la dernière fléchette a été lancée afin de compter le point. Si une fléchette tombe au sol ou si elle s'accroche à une autre fléchette sur la cible, le point ne compte pas.

### Pointage

Quant aux fléchettes qui restent sur la cible, les points sont calculés en fonction du cercle où elles se sont posées. Les cercles et leurs points correspondants sont les suivants:

Le Wedge (cercle extérieur) – les points correspondent aux nombres indiqués dans le cercle de la cible.

Le Cercle Double (cercle extérieur, section étroite) – qu'importe le nombre où la fléchette s'est posée, il est multiplié par 2.

Le Cercle Triple (cercle intérieur, section étroite) – qu'importe le nombre où la fléchette s'est posée, il est multiplié par 3.

Le Bull's Eye (cercle extérieur du centre de la cible) – 25 points.

Le Double Bull's Eye (cercle intérieur du centre de la cible) – 50 points.

### Trucs pour lancer

Tout se rapporte au lancer quand il s'agit de jouer aux fléchettes. Voici quelques conseils de base pour vous aider à frapper le Bull's Eye (centre de la cible).

La Position – une bonne posture est essentielle pour effectuer un lancer égal et régulier en direction de la cible. Ne vous penchez pas vers l'avant et ne soulevez votre pied. Maintenez une position équilibrée et stable et gardez le lancer isolé de l'avant-bras, du poignet et des doigts.

Le Lancer – ne lancez pas vos fléchettes brusquement. Au contraire, lancez votre fléchette et placez-la où vous le souhaitez grâce à un lancer précis et direct vers la cible. Maintenez la fléchette droite et évitez de la faire tourner lors du lancer afin de créer une trajectoire efficace vers la cible.

### Le 501 Standard:

1. Chaque joueur ou équipe commence avec un pointage de 501, de 301 ou de 1001 selon la taille des équipes).

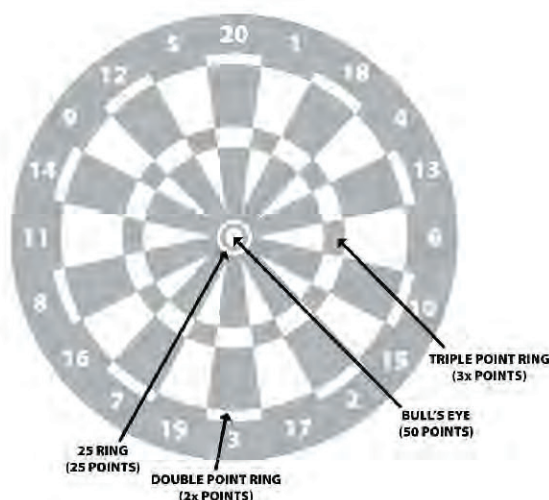
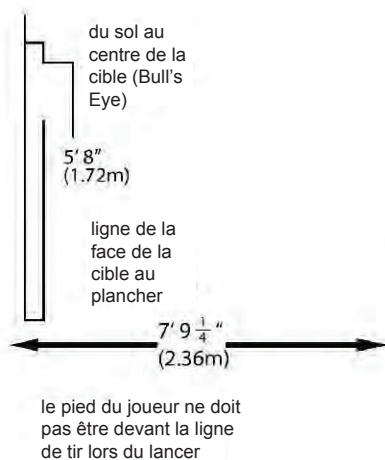
2. Pour gagner, le joueur et/ou l'équipe devront réduire leurs points à 0.

3. La dernière fléchette lancée dans une manche doit atteindre une section double ou le cercle intérieur du centre de la cible pour ainsi réduire le score à 0 exactement. Quand ce lancer réussit, vous doublez automatiquement vos points ou vous remportez la partie.

4. Le lancer qui réduirait le pointage à un score inférieur à zéro n'est pas compté! Le pointage du joueur est alors le même qu'au précédent tour.

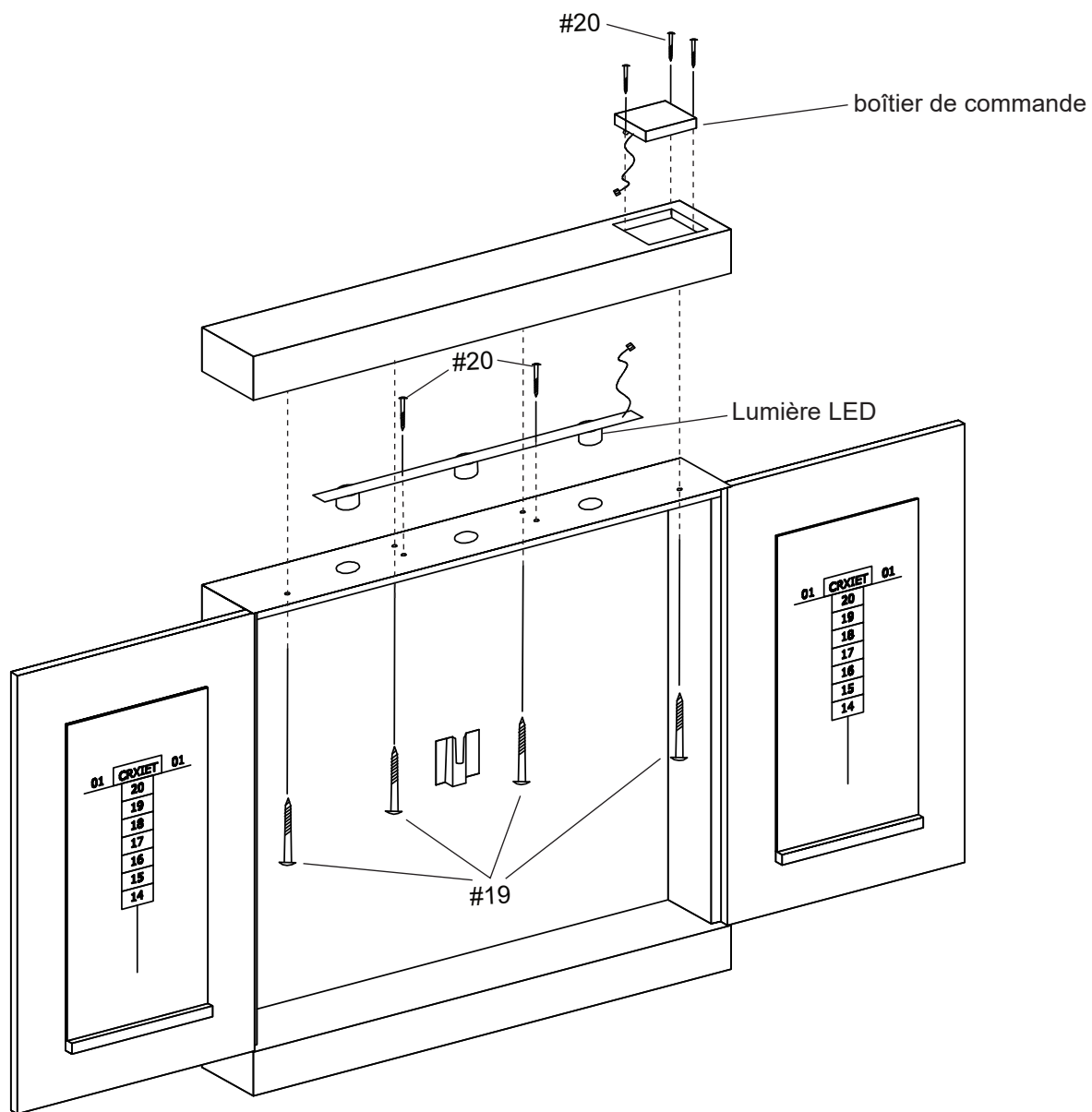
5. Aux fins de la règle No 3, le Bull's Eye est de 25 points doublés.

\* **Leg:** chaque manche est appelée Leg. Il faut effectuer 3 Legs pour terminer la partie; le gagnant est le joueur qui remporte 2 des 3 Legs. Ces derniers peuvent varier.





# REPLACEMENT DU SYSTÈME D'ÉCLAIRAGE



## PIÈCES PRÉ-ASSEMBLÉES

#17 PRÉASSEMBLÉ	#19 PRÉASSEMBLÉ	#20 PRÉASSEMBLÉ
<p>X1 ensemble LUMIÈRE LED</p>	<p>X4 VIS 3.5 X 25MM</p>	<p>X5 VIS 3.5 X 12MM</p>

# GARANTIE LIMITÉE DE 180 JOURS

La garantie du produit est valide pour l'acheteur original en ce qui a trait aux pièces défectueuses ou à la main-d'œuvre pour une période de 180 jours de la date d'achat.

Cette garantie n'est couverte pas les dommages causés par accident, par modification, par une installation défectueuse ou tout autre événement hors du contrôle du fabricant. Tout défaut ou dommage résultant de la négligence ou d'une mauvaise utilisation annule cette garantie. La présente garantie ne couvre pas les égratignures ou les dommages attribuables à un usage normal.

Ce produit n'est pas destiné à un usage institutionnel ou commercial; le fabricant décline toute responsabilité pour une telle utilisation. Un usage institutionnel ou commercial annule cette garantie.

Cette garantie est non transférable et est expressément limitée à la réparation ou au remplacement du produit défectueux. Au cours de la période de garantie, le fabricant s'engage à remplacer et à réparer les pièces défectueuses sans frais pour l'acheteur. Les frais d'assurance et d'expédition ne sont pas couverts et sont à la charge de l'acheteur. Les frais de main-d'œuvre et les dépenses liées au déplacement, à l'installation ou au remplacement du produit ou de ses composantes ne sont pas couverts par cette garantie.

Le fabricant se réserve le droit de faire des substitutions de recours en garantie si la pièce n'est pas disponible ou obsolète.

Le fabricant décline toute responsabilité liée à la perte d'utilisation ainsi que tous les autres coûts directs ou indirects, frais ou dommages encourus par le consommateur qui aurait été causés par une autre utilisation. L'utilisateur assume tous les risques de dommage résultant de l'utilisation de ce produit.

Cette garantie tient lieu expressément de toute autre garantie, exprimée ou implicite, y compris les garanties de qualité marchande ou d'adaptation à un emploi particulier dans la mesure permise par les lois fédérales ou provinciales. Ni le fabricant, ni aucun de ses représentants n'assument aucune autre responsabilité en rapport avec ce produit.

**Toute réclamation doit être faite par le détaillant où le produit a été acheté. Une facture ou autre preuve d'achat est nécessaire pour traiter toutes les réclamations de garantie. Le numéro de modèle et les numéros de référence figurant dans les instructions d'assemblage seront exigés lors de la soumission de demande de pièces ou de recours en garantie.**

**Pour plus d'information ou pour toute question, veuillez téléphoner au 1 800 759-0977.**