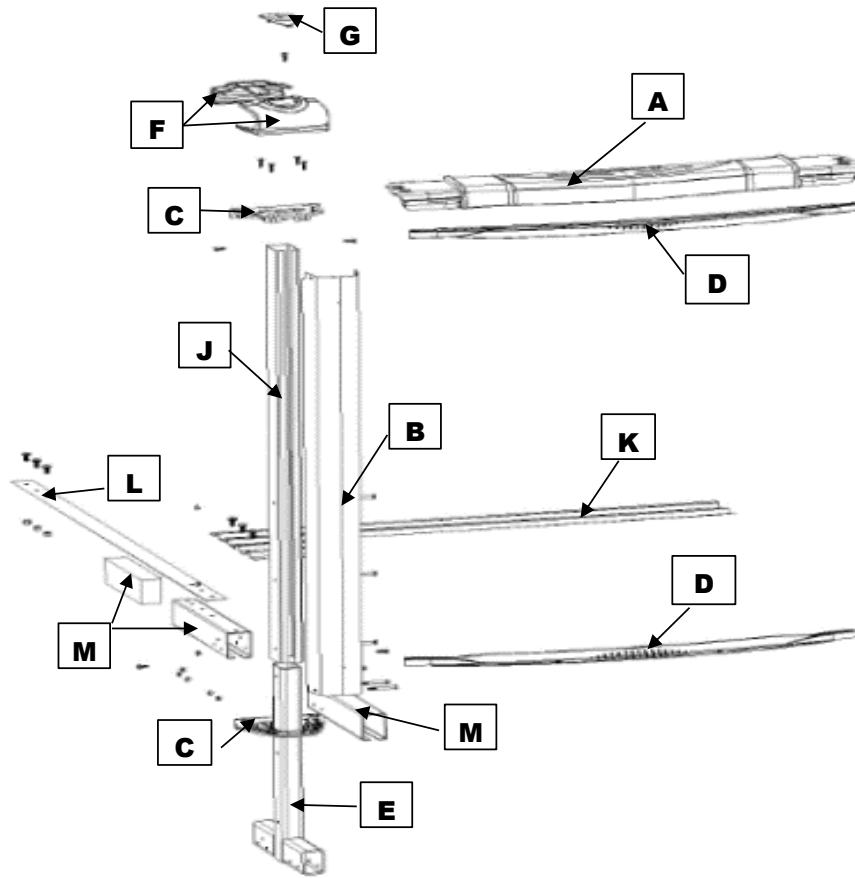


Regency RTR  
PREGLX-YE54RSRRRF41  
Yard Extender  
Oval



**Product Description :**  
**Product Code:**

**Regency Oval**  
**PREGLX-54RSRRRRF41**

Revised Sept 2016

Quantity required for installation (by pool size)

Index #	Description	Part #	Length	Quantity required for installation (by pool size)			
				1223	1526	1530	1833
A	Top ledge (round sections)	CC777-001-R		8	10	10	12
A	Top ledge (straight sections)	CC777-001-45		6	6	8	8
B	Upright (straight sections)	MOT835-R12954M		8	8	10	10
B	Upright (round sections)	MOT877-R10138M		6	8	8	10
C	Bottom plate (straight sections)	CG21120B		8	8	10	10
C	Bottom plate (round sections)	CB777-26300A		6	8	8	10
C	Top plate (round sections)	CG20668A		6	8	8	10
C	Top plate (straight sections)	CG21120A		8	8	10	10
D	Stabilizer / Bottom rail (straight sections)	1514215	42,000"	12	12	16	16
D	Stabilizer / Bottom rail (round sections)	1525515	55,250"	12	16	16	20
D	Bottom rail (transition)	1325315	54,125	4	4	4	4
E	T unit	20801		8	8	10	10
F	Ledge cover (round sections)	CB777-26100AB		6	8	8	10
F	Ledge cover (straight sections)	CB777-26100OV		8	8	10	10
G	Caps bag	SACCAPCH777-14		1			
G	Caps bag	SACCAPCH777-16			1		
G	Caps bag	SACCAPCH777-18				1	
G	Caps bag	SACCAPCH777-20					1
H	Steel bars	11825	54,000"	2	2	2	2
I	Wall			1	1	1	1
J	Vertical sleeve	20509	52,875	8	8	10	10
K	Brace plate	20809	47,000"	6	6	8	8
L	Steel strap 60"	20560	59,750"	8	12	15	15
L	Steel strap 26"	20526	26,000"	4			10
M	Horizontal sleeve with pen	20810	17,000"	8	8	10	10
M	Extruded polystyrene piece	1000100		8	8	10	10
M	Horizontal sleeve without pen	20802	17,000"	8	8	10	10
*	Hardware bag/pool	SACV12X34-58		1			
	Hardware bag/pool	SACV12X34-66			1		
*	Hardware bag/pool	SACV12X34-74				1	
*	Hardware bag/pool	SACV12X34-86					1
	Screw 12x3/4	V12x34		58	66	74	86
	Bag of plastic spacers	SACSP625X250-14		1			
	Bag of plastic spacers	SACSP625X250-16			1		
	Bag of plastic spacers	SACSP625X250-18				1	
	Bag of plastic spacers	SACSP625X250-20					1
*****	Plastic spacer 0.625"x 0.50"	SP0625X0250		14	16	18	20
***	Hardware bag/pool	SACVHL12114-74		1			
	Hardware bag/pool	SACVHL12114-84			1		
***	Hardware bag/pool	SACVHL12114-95				1	
***	Hardware bag/pool	SACVHL12114-105					1
	Screw 12x1-1/4	VHL12x114S		74	84	95	105
****	Hardware bag/pool	SACFW10X34S-60		1			
	Hardware bag/pool	SACFW10X34S-65			1		

**Product Description :****Regency Oval**

Revised Sept 2016

**Product Code:****PREGLX-54RSRRRRF41**

Quantity required for installation (by pool size)

Index #	Description	Part #	Length	Quantity required for installation (by pool size)			
				1223	1526	1530	1833
****	Hardware bag/pool	SACFW10X34S-75				1	
****	Hardware bag/pool	SACFW10X34S-85					1
	Flat washer	FW10x34S		60	65	75	85
*****	Hardware bag/pool	SACSJF-4		2	2	1	1
*****	Hardware bag/pool	SACSJF-6				1	1
	Bolt hex1/4"-20 X 2 1/2"	B14X20X212		66	66	82	82
	Bolt 3/8"-16 X 3/4"	B38X16X34		50	50	62	62
	Nut 1/4"-20	N14X20		66	66	82	82
	Nut 3/8" X 16	N38X16S		26	24	32	32
*****	Kit 3 caps	CAPCH777		14	16	18	20
**	Hardware bag/wall	1050000054		1	1	1	1
	Thru phill 18/8 bolts 18/8 1/4-0x3/4	99-0023		31	31	31	31
	Flange nuts S/S 1/4-20 Serrated	2FGS422		31	31	31	31
	DVD installation	SACWBI36876		1	1	1	1

\* In the hardware bag/pool you will find parts: #V12x34

\*\* In the hardware bag/wall you will find parts: #99-0023 - #2FGS422

\*\*\* In the hardware bag/pool you will find parts: #VHL12114S

\*\*\*\* In the hardware bag/pool you will find parts: #FW10x34S

\*\*\*\*\* In the hardware bag/pool you will find parts: #B14x20x212 - #B38x16x34 - #N14x20 - #N38x16S

\*\*\*\*\* In the bag of plastic spacers you will find parts: #SP0625X0250

\*\*\*\*\* In the Cap bag you will find parts: #CAPCH777