

**FLOW STAR® SKIMMER WITH 5" DEEP THROAT, FLOAT ASSEMBLY, BASKET, LID, ADJUSTABLE COLLAR FOR FIBERGLASS**



Built in conformance with NSF 50 and SPS 3 standards



**FEATURES**

- Adjustable collar
- New weir clip lock secures the clips in the weir door
- Large self-contained basket with lock-in feature (will not float)
- Pre-installed O-ring for float assembly
- Underwater dampers on the faceplate for noise reduction on weir plate – especially on windy days
- Super strong engineered polymer upper housing
- Extra heavy-duty PVC lower unit (does not require transitional glue)
- 2½" outside slip; 2" inside slip (outside skimmer)
- 2" threads for pressure testing (inside skimmer)
- Built-in overflow or fill line knock-out
- Upper housing has pre-cut rebar cutouts with pre-drilled holes for tie wire
- Additional box inside skimmer box for a basket, float assembly and weir plate (so assembly does not get lost on job site)
- Skimmer Lid and Collar G154 UV tested
- Approved for residential use up to 100 GPM
- Optional custom name/logo engraved on the lid (requires minimum 500 piece lid order)
- Designed to work with all existing fiberglass pool walls
- 1 per case

**Two additional lid options available (sold separately):  
square or snap-in round/square**



Optional vacuum plate with snap-in lug can be glued in under lid for easy storage p/n SK43101



Optional BFB adapter converts skimmer fittings to 4" or 3" tee for improved hydraulics and code compliance p/n BFB101

Part # SKRFL12xxx

**STANDARD COLORS**

- SKRFL12101 – White
- SKRFL12102 – Black
- SKRFL12103 – Light Gray
- SKRFL12105 – Dark Gray
- SKRFL12108 – Tan

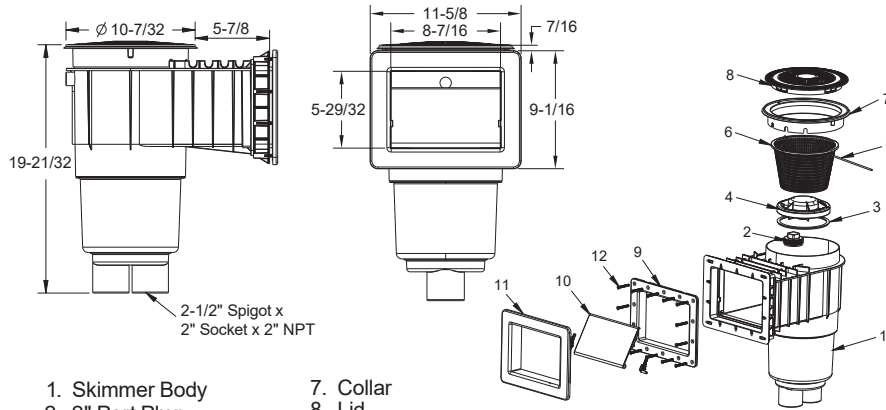
Also available without float assembly remove "FL" from part numbers

Snap-in Round/Square Lid and Collar (sold separately) p/n SK65xxx

Square Lid and Collar (sold separately) p/n SK64xxx

Also available without lid/collar (white only) p/n SKRFL12NL101

**SPS 3 & NSF 50 Compliant**



- |                       |   |
|-----------------------|---|
| 1. Skimmer Body       | 7. Collar   |
| 2. 2" Port Plug       | 8. Lid  |
| 3. O-Ring             | 9. Gasket   |
| 4. Float Assembly     | 10. Weir Assembly                                 |
| 5. Skimmer Basket Rod | 11. Cover   |
| 6. Basket             | 12. 12 x 1-3/4" Flat Head Phillips 316 SS, Qty 14 |

## ADDITIONAL PRODUCT CONFIGURATIONS FOR SKRFL12XXX

### 9" Ultra Basket

Available 2" Socket Dual-Port, 4" Socket, 6" Socket, and Water Bonded.

Example: SKRFL12B101D-L= White Water Bonded Flow Star® Skimmer with 4" Socket Sump and 9" Ultra Basket

1 per case

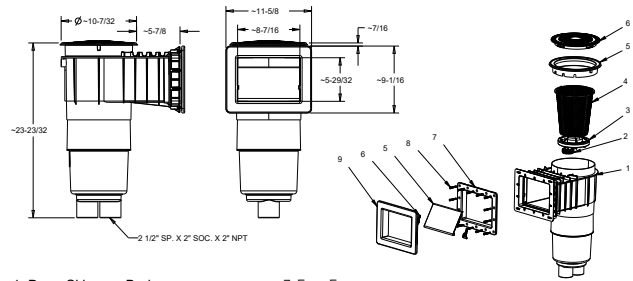
STANDARD COLORS

- SKRFL12101-L – White
- SKRFL12102-L – Black
- SKRFL12103-L – Light Gray
- SKRFL12105-L – Dark Gray
- SKRFL12108-L – Tan

**NEW**



Part # SKRFL12xxx-L



1. Deep Skimmer Body
2. 2" NPT Port Plug
3. Float Assembly
4. 9" Ultra Skimmer Basket
5. Skimmer Collar
6. Skimmer Lid
7. Face Frame
8. #12 x 1-3/4", Flat Head Phillips, 316 SS
9. Weir Door Assembly
10. Weir Door Clips
11. Skimmer Collar
12. Decorative Cover

### Water Bonded

Bonding plate and copper wire connection meet NEC section 680.2 C.

Conforms to UL 1081, UL 1563, CAN/CSA-C22.2

Bonding plate is safely placed behind the skimmer basket, for constant water contact, even when the pump is off

1 per case

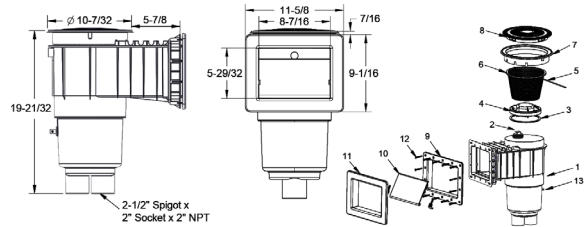
STANDARD COLORS

- 101  103  105
- 102  108

**NEW**



Standard Part # SKRFL12Bxxx 9" Ultra Basket Part # SKRFL12Bxxx-L



1. Skimmer Body
2. 2" Port Plug
3. O-Ring
4. Float Assembly
5. Skimmer Basket Rod
6. Basket
7. Collar
8. Lid
9. Gasket
10. Weir Assembly
11. Cover
12. 12 x 1-3/4" Flat Head Phillips 316 SS, Qty 14
13. Bonding Plate Assembly

## ADDITIONAL PORT CONFIGURATIONS FOR SKRFL12xxx AND SKRFL12xxx-L

### 4" Socket Sump

Extra heavy duty PVC lower unit (no transitional glue required)

Standard Part # SKRFL12xxxD

9" Ultra Basket Part # SKRFL12xxxD-L

1 per case



### 6" Socket Sump

Extra heavy duty PVC lower unit (no transitional glue required)

Standard Part # SKRFL12xxxF

9" Ultra Basket Part # SKRFL12xxxF-L

1 per case



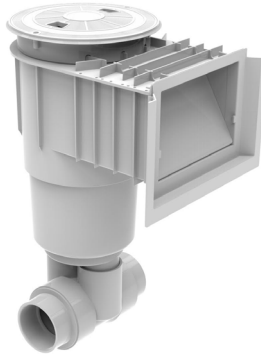
## SKIMMER ACCESSORIES

STANDARD COLORS  101  102  103  105  108

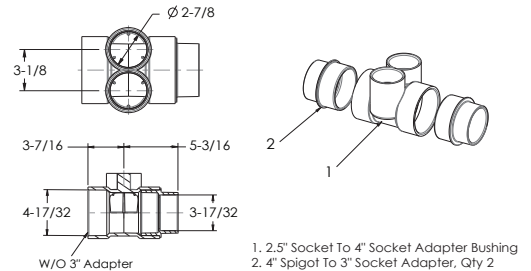
### Adaptor Bushing

#### FEATURES

Eliminates the need to reduce down 4" or 3" plumbing when connecting to a skimmer with a dual-port PVC sump  
 Converts two 2½" spigot to 4" or 3" T  
 Includes two 4" x 3" reducer bushings  
 Shown as an example only – parts are sold separately  
 1 per case



Part # SKR1xx with BFB101



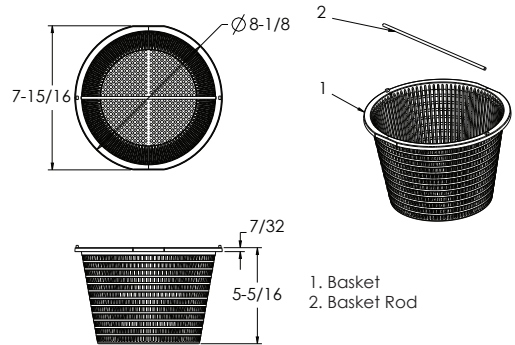
### Skimmer Basket

#### FEATURES

Polypropylene basket locks in to remain in place during on and off pump cycles  
 Fits all standard skimmers  
 50 per case



Part # SK6



1. Basket  
 2. Basket Rod

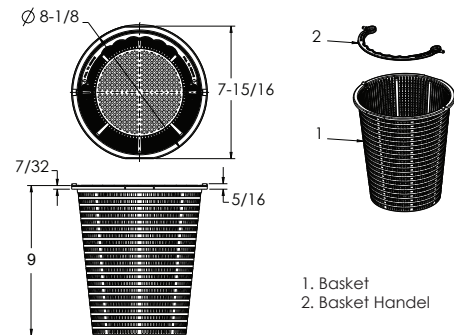
### 9" Ultra Skimmer Basket

#### FEATURES

9" polypropylene Ultra Basket locks in to remain in place during on and off pump cycles  
 Fits all 9" Ultra Basket models  
 50 per case



Part # SK96



1. Basket  
 2. Basket Handle

P 877-768-2717 F 877-276-POOL Outside the US: P +1-949-336-1940 F +1-949-336-1940  
 info@aquastarpoolproducts.com www.aquastarpoolproducts.com

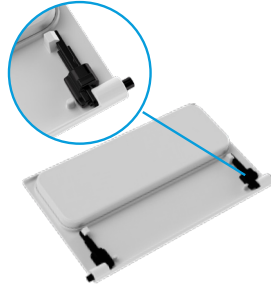
## SKIMMER ACCESSORIES

STANDARD COLORS  101  102  103  105  108

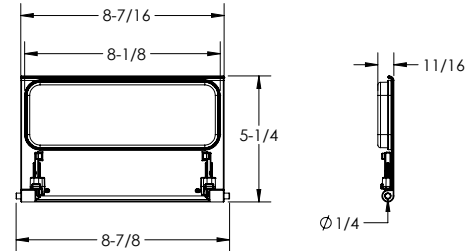
### Weir Plate Assembly for Standard & Vinyl/Fiberglass Skimmers

#### FEATURES

Includes weir clip locks to secure weir clips in place  
Also available only weir clips, part # SK902  
24 per case



Part # SKWDxxx



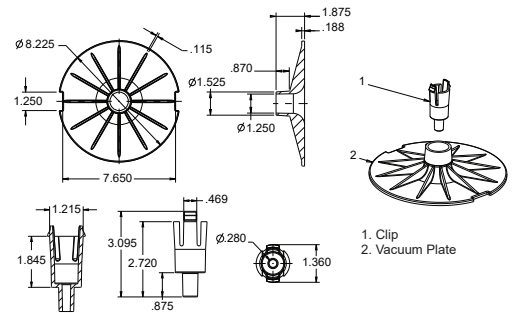
### Vacuum Plate

#### FEATURES

Snaps under skimmer lid for easy storage  
White only  
25 per case



Part # SK43101



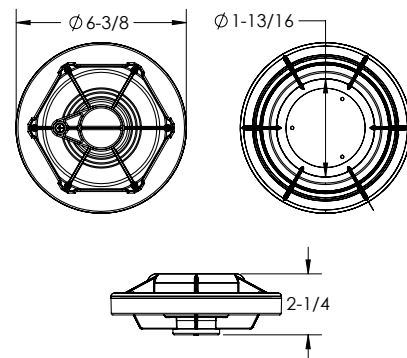
### Float Assembly

#### FEATURES

Includes O-ring gasket and flow adjustment flap  
White only  
24 per case



Part # SKFL101



## SKIMMER ACCESSORIES

STANDARD COLORS  101  102  103  105  108

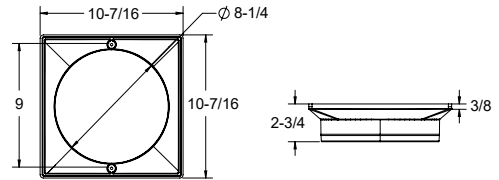
### Square Skimmer Collar

#### FEATURES

Adjustable collar levels out uneven surfaces  
Fits AquaStar and most standard skimmers (Sta-Rite/Pentair)  
6 per case



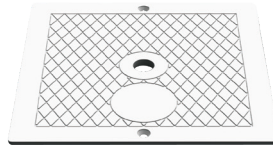
Part # SK61xxx



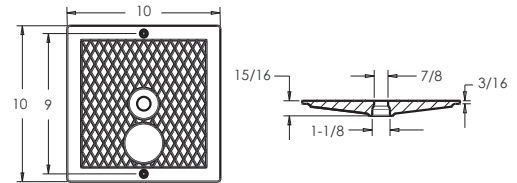
### Square Skimmer Lid

#### FEATURES

UV tested to latest standard  
Optional custom name/logo insert p/n SK63xxxA (minimum 500-piece order)  
Fits AquaStar and most standard square skimmer collars (Sta-Rite/Pentair)  
24 per case



Part # SK63xxx



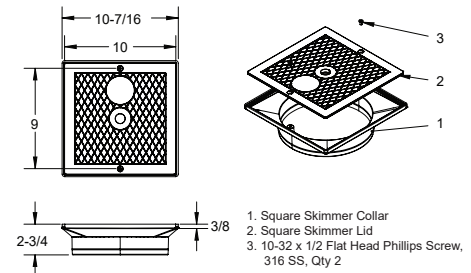
### Square Skimmer Lid and Collar

#### FEATURES

UV tested to latest standard features  
Optional custom name/logo insert p/n SK64xxxA (minimum 500 piece order)  
Fits AquaStar and most standard skimmers (Sta-Rite/Pentair)  
6 per case



Part # SK64xxx



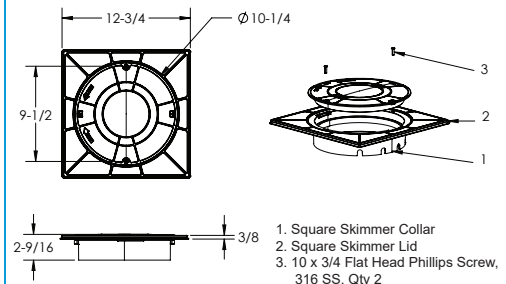
### Round/Square Snap-in Lid and Collar

#### FEATURES

Round lid snaps into square housing  
UV tested to latest standard  
Optional custom name/logo insert p/n SK65xxxA (minimum 500-piece order)  
Fits AquaStar and most standard skimmers (Sta-Rite/Pentair)  
8 per case



Part # SK65xxx



P 877-768-2717 F 877-276-POOL Outside the US: P +1-949-336-1940 F +1-949-336-1940  
info@aquastarpoolproducts.com www.aquastarpoolproducts.com

# SKIMMER ACCESSORIES

STANDARD COLORS  101  102  103  105  108

## Round Skimmer Lid

### FEATURES

UV tested to latest standard

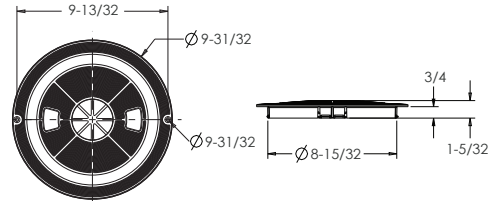
Optional custom name/  
logo insert p/n RTxxxA  
(min 500 piece order)

Fits AquaStar and most standard round  
skimmer collars (Sta-Rite/Pentair)

25 per case



Part # RTxxx



## Adjustable Round Skimmer Collar

### FEATURES

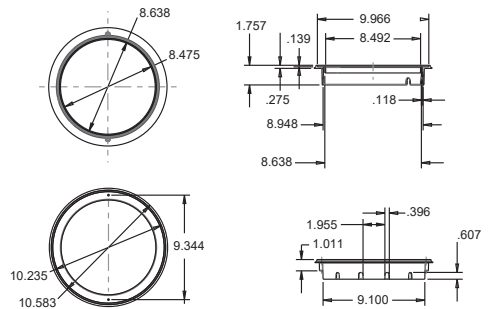
Adjustable collar levels  
out uneven surfaces

Fits AquaStar and most standard  
skimmers (Sta-Rite/Pentair)

20 per case



Part # SK5xxx



## Round Skimmer Lid and Collar

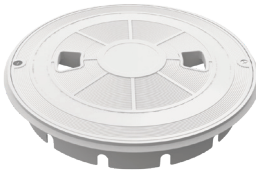
### FEATURES

UV tested to latest standard

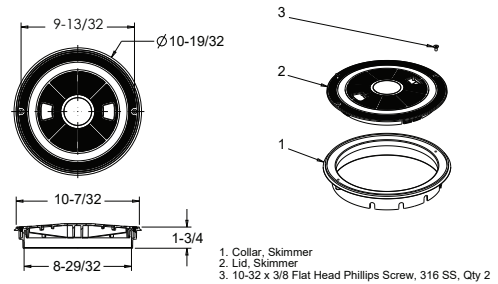
Optional custom name/logo insert p/n  
SKRTxxxA (min 500 piece order)

Fits AquaStar and most standard  
skimmers (Sta-Rite/Pentair)

25 per case



Part # SKRTxxx



## 3" Skimmer Extension Collar

### FEATURES

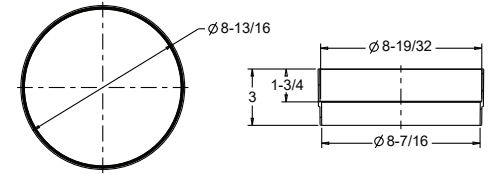
Stack multiple collars to reach desired  
deck or bond beam height

Fits into AquaStar and most standard  
round skimmer collars (Sta-Rite/Pentair)

20 per case



Part # SECxxx



P 877-768-2717 F 877-276-POOL Outside the US: P +1-949-336-1940 F +1-949-336-1940

info@aquastarpoolproducts.com www.aquastarpoolproducts.com