

WATERCO

water, the liquid of life

www.waterco.us

SIDE MOUNT DEEP BED INDUSTRIAL FIBERGLASS FILTERS

Proven strength and durability

Seamless one-piece vessel

Waterco's Micron Fiberglass Filters are made from continuous strands of high quality fiberglass filament, wound under controlled tension to create a seamless, impervious vessel. This process produces a filter that is free from welds and seams. No special tank linings are required to fight corrosion. Waterco's revolutionary winding technology further strengthens the vessel, which can be built to withstand a working pressure up to 150psi.

High corrosion resistance

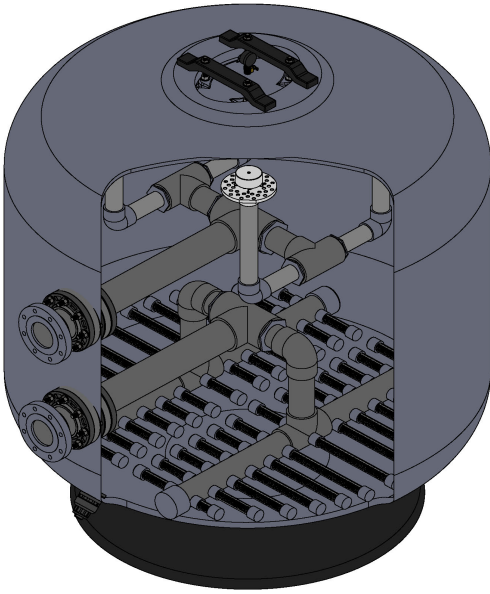
Fiberglass vessels are rapidly replacing traditional steel and carbon steel tanks in numerous applications due to superior mechanical and chemical resistance unlike steel filters. Fiberglass won't rust or corrode, and can also withstand damage from water treatment chemicals. Vessels are ideal for seawater applications, such as pre-filtration in desalination systems.



PN 30501804154NA



NOTE: NSF ON SELECT
MODELS CHART BELOW



- Inflow diffuser for even distribution of water flow across the filter bed
- Elliptical positive-pressure sealing manways
- UV and corrosion-proof resistant fiberglass wound tank
- Hydraulically-balanced laterals maximize water flow for better filtration and backwash
- Manual 3" x 1" media/water drain
- Large filter base for stable floor mounting
- 1/3 the weight of steel
- Triple seal, no metal contact water tight seal
- Vessels include slotted SCH 80 PVC laterals, compatible for air scour/air pulse backwash



PVC flange

Specialized glass reinforced corrosion-resistant backing ring up to 10" in diameter



Patented port boring

Inlet/outlet ports are bored using a digitally-controlled process, which creates flat parallel internal and external surfaces, ensuring a proper seal between the inner and outer wall of the filter tank.

Optional manholes and sight glasses

Waterco's advanced manufacturing capabilities allow for incorporation of sight glasses and large manholes into high-pressure fiberglass filters.



Top Manway

| Opening | Available on filter sizes |
|--------------|------------------------------|
| Oval 16"x12" | SMD/SMDD/SPDD 900 to 2200 |
| Oval 24"x18" | 2350 - 3000 |
| Round 24" | Upon request 1200 - 3000 |

Lateral manway

| Opening | Available on filter sizes |
|--------------|------------------------------|
| Round 8" | SMD/SMDD/SPDD 600 to 3000 |
| Round 13" | 1050 to 3000 |
| Oval 13"x8" | 1050 to 3000 |
| Oval 17"x13" | 1200 to 3000 |

Sight Glass

| | Available on filter sizes |
|----|---------------------------|
| | SMD/SMDD/SPDD |
| 2" | 600 to 3000 |
| 3" | 900 to 3000 |
| 4" | 1050 to 3000 |
| 6" | 2000 to 3000 |

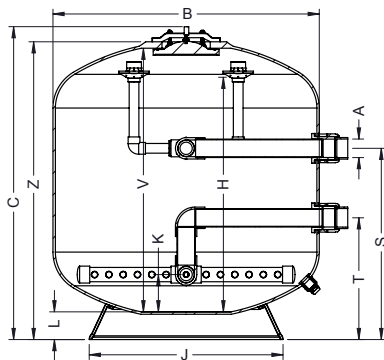
Deep Bed Industrial Fiberglass Vertical Filters- SMD Series

| PART NUMBER | PRODUCT DESCRIPTION | NOM.DIAMETER | NSF 50 |
|---------------|---|--------------|--------|
| 22506004501NA | SMD600 24" 1.5" BH CONN. 58PSI | 24" | |
| 22507504501NA | SMD750 30" 2" BH CONN. 58PSI | 30" | |
| 30509004801NA | SMD900 36" 3" BH CONN. 58 PSI SCH 80 | 36" | ✓ |
| 30509007804NA | SMD900 36" 3" FLG CONN. 102 PSI SCH 80 | 36" | |
| 30501054801NA | SMD1050 42" 3" BH CONN. 58 PSI SCH 80 | 42" | ✓ |
| 30501204801NA | SMD1200 48" 3" BH CONN. 58 PSI SCH 80 | 48" | ✓ |
| 30501204101NA | SMD1200 48" 4" BH CONN. 58 PSI SCH 80 | 48" | ✓ |
| 30501404104NA | SMD1400 55" 4" FLG CONN. 58PSI SCH 80 | 55" | ✓ |
| 30501407104NA | SMD1400 55" 4" FLG CONN. 102 PSI SCH 80 | 55" | |
| 30501604104NA | SMD1600 63" 4" FLG CONN. 58PSI SCH 80 | 63" | ✓ |
| 30501607104NA | SMD1600 63" 4" FLG CONN. 102 PSI SCH 80 | 63" | |
| 30501604154NA | SMD1600 63" 6" FLG CONN. 58 PSI SCH 80 | 63" | ✓ |
| 30501607154NA | SMD1600 63" 6" FLG CONN. 102 PSI SCH 80 | 63" | |
| 30501804154NA | SMD1800 71" 6" FLG CONN. 58 PSI SCH 80 | 71" | ✓ |
| 30501807154NA | SMD1800 71" 6" FLG CONN. 102 PSI SCH 80 | 71" | |
| 30502004154NA | SMD2000 79" 6" FLG CONN. 58 PSI SCH 80 | 79" | ✓ |
| 30502007154NA | SMD2000 79" 6" FLG CONN. 102 PSI SCH 80 | 79" | |

Specifications

| MODEL | PORT SIZE (in.) | BED DEPTH (in.) | INNER DIA. (in.) | FILTER AREA (ft ²) | FILTRATION FLOW RATES (gpm) | | BACKWASH FLOW RATES (gpm) | | MEDIA VOLUME (gallons) | GRAVEL 1.2-2.4 (lbs.) | SAND 0.6-1.2 (lbs.) |
|---------|-----------------|-----------------|------------------|--------------------------------|-----------------------------|---------------|---------------------------|---------------|------------------------|-----------------------|---------------------|
| | | | | | 5 GPM/ SQ FT | 10 GPM/ SQ FT | 15 GPM/ SQ FT | 20 GPM/ SQ FT | | | |
| SMD600 | 1.5 | 39.4 | | 3.05 | 15 | 30 | 46 | 61 | 81 | 100 | 975 |
| SMD750 | 2.0 | 39.4 | | 4.76 | 24 | 48 | 71 | 95 | 121 | 75 | 1,550 |
| SMD900 | 3.0 | 39.4 | 36 | 7.10 | 34 | 69 | 103 | 137 | 184 | 275 | 2,200 |
| SMD1050 | 3.0 | 39.4 | 42 | 9.62 | 48 | 96 | 144 | 192 | 254 | 450 | 2,950 |
| SMD1200 | 3.0 | 39.4 | 47.3 | 12.56 | 63 | 126 | 188 | 251 | 322 | 400 | 3,900 |
| SMD1200 | 4.0 | 39.4 | 47.3 | 12.56 | 63 | 126 | 188 | 251 | 310 | 250 | 3,900 |
| SMD1400 | 4.0 | 39.4 | 55.2 | 16.49 | 82 | 165 | 247 | 330 | 434 | 500 | 5,300 |
| SMD1600 | 4.0 | 39.4 | 63 | 21.64 | 108 | 216 | 325 | 433 | 554 | 450 | 6,950 |
| SMD1600 | 6.0 | 39.4 | 63 | 21.64 | 108 | 216 | 325 | 433 | 561 | 700 | 6,800 |
| SMD1800 | 6.0 | 39.4 | 70.86 | 27.50 | 138 | 275 | 413 | 550 | 767 | 1,600 | 8,650 |
| SMD2000 | 6.0 | 39.4 | 78.8 | 34.00 | 170 | 340 | 510 | 680 | 920 | 1,550 | 10,750 |

BH-BULKHEAD AND FLG-FLANGED HIGHER PRESSURE RATED FILTERS AVAILABLE UP TO 8 BAR CALL FOR DETAILS



| MODEL | A | B | C | H | J | K | L | S | T | V | Z |
|---------|--------|------|------|------|------|------|------|------|------|------|------|
| | INCHES | | | | | | | | | | |
| SMD1050 | 3 | 42.0 | 74.5 | 52.5 | 41.0 | 7.9 | 4.3 | 43.3 | 29.3 | 64.0 | 68.3 |
| SMD1200 | 3 | 48.5 | 74.8 | 54.0 | 41.0 | 8.6 | 5.5 | 45.4 | 31.4 | 61.8 | 68.9 |
| SMD1200 | 4 | 48.5 | 74.8 | 54.0 | 41.0 | 8.6 | 5.5 | 46.9 | 29.9 | 61.8 | 68.9 |
| SMD1400 | 4 | 57.1 | 76.8 | 59.0 | 47.2 | 8.5 | 6.4 | 48.9 | 31.9 | 62.9 | 76.8 |
| SMD1600 | 4 | 65.8 | 78.6 | 56.3 | 47.2 | 7.1 | 8.6 | 46.8 | 29.8 | 64.8 | 72.7 |
| SMD1600 | 6 | 65.8 | 78.6 | 57.9 | 47.2 | 8.7 | 8.6 | 47.2 | 28.2 | 64.8 | 72.7 |
| SMD1800 | 6 | 72.0 | 78.0 | 58.1 | 69.0 | 8.9 | 12.4 | 46.0 | 27.0 | 67.3 | 72.0 |
| SMD2000 | 6 | 80.3 | 81.0 | 61.0 | 69.0 | 11.8 | 9.6 | 47.8 | 28.8 | 69.5 | 75.1 |





Waterco.us 1.800.247.7291

MultiCyclone >  Filters > Pumps > Lights > Media > White Goods > Valves

12.2020