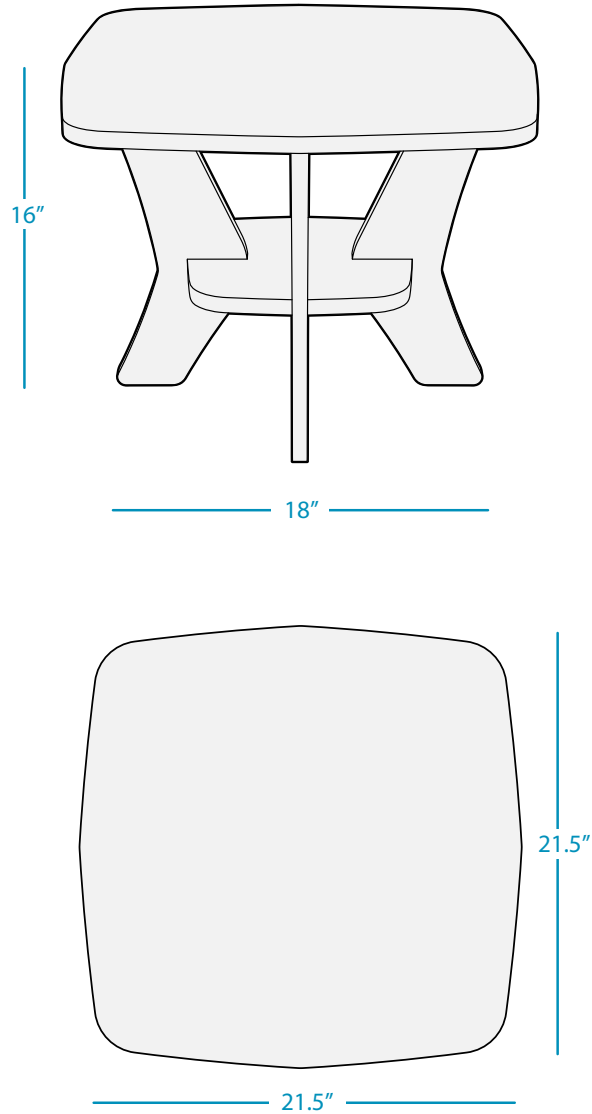


# MAINSTAY

## SQUARE SIDE TABLE

### SPECIFICATIONS

WEIGHT: 19 LBS



### FEATURES

- Designed for on-deck use
- Perfect for residential or commercial settings
- Crafted of an extruded, high density polyethylene
- UV stable, moisture and mildew resistant
- Withstands outdoor environment without swelling, splintering, fading, or warping
- Stainless steel hardware
- Arrives fully assembled

### AVAILABLE COLORS

