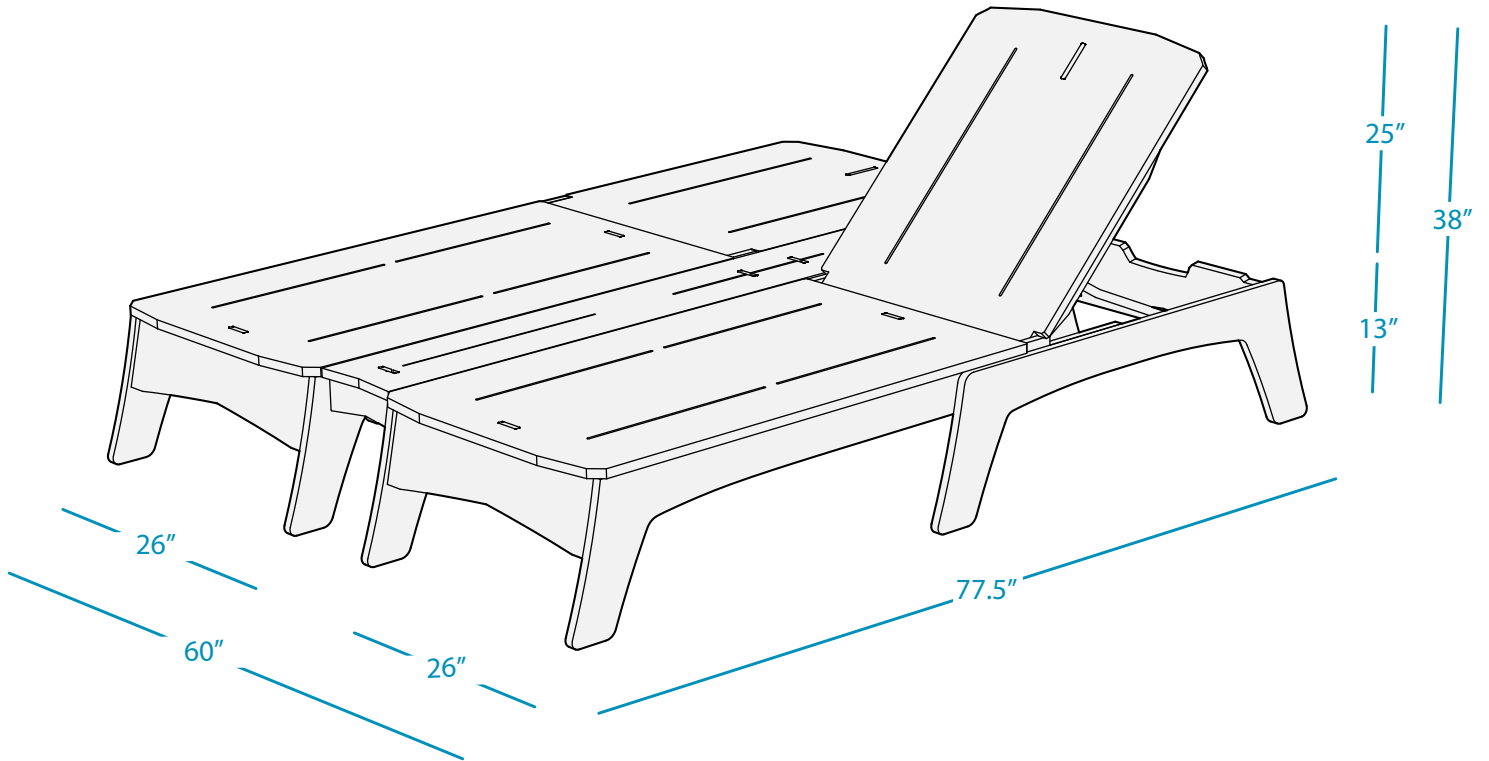


MAINSTAY

DOUBLE CHAISE

SPECIFICATIONS

WEIGHT: 132 LBS



FEATURES

- Perfect for residential or commercial settings
- Crafted of an extruded, high density polyethylene
- UV stable, moisture and mildew resistant
- Withstands outdoor environment without swelling, splintering, fading, or warping
- Stainless steel hardware
- Each Chaise reclines individually into five customizable positions
- Some assembly required

AVAILABLE COLORS

