

# MULTI CYCLONE ULTRA

*A revolution in pool filtration*



MultiCyclone Ultra combines centrifugal and cartridge filtration into one streamline housing, creating an ultra compact filtration system that can be vertically installed on a pool pump.

**Dual stage filtration**

**Ultra compact**

**Ease of maintenance**

**Save time, water and energy**



SAVE WATER



SAVE ENERGY



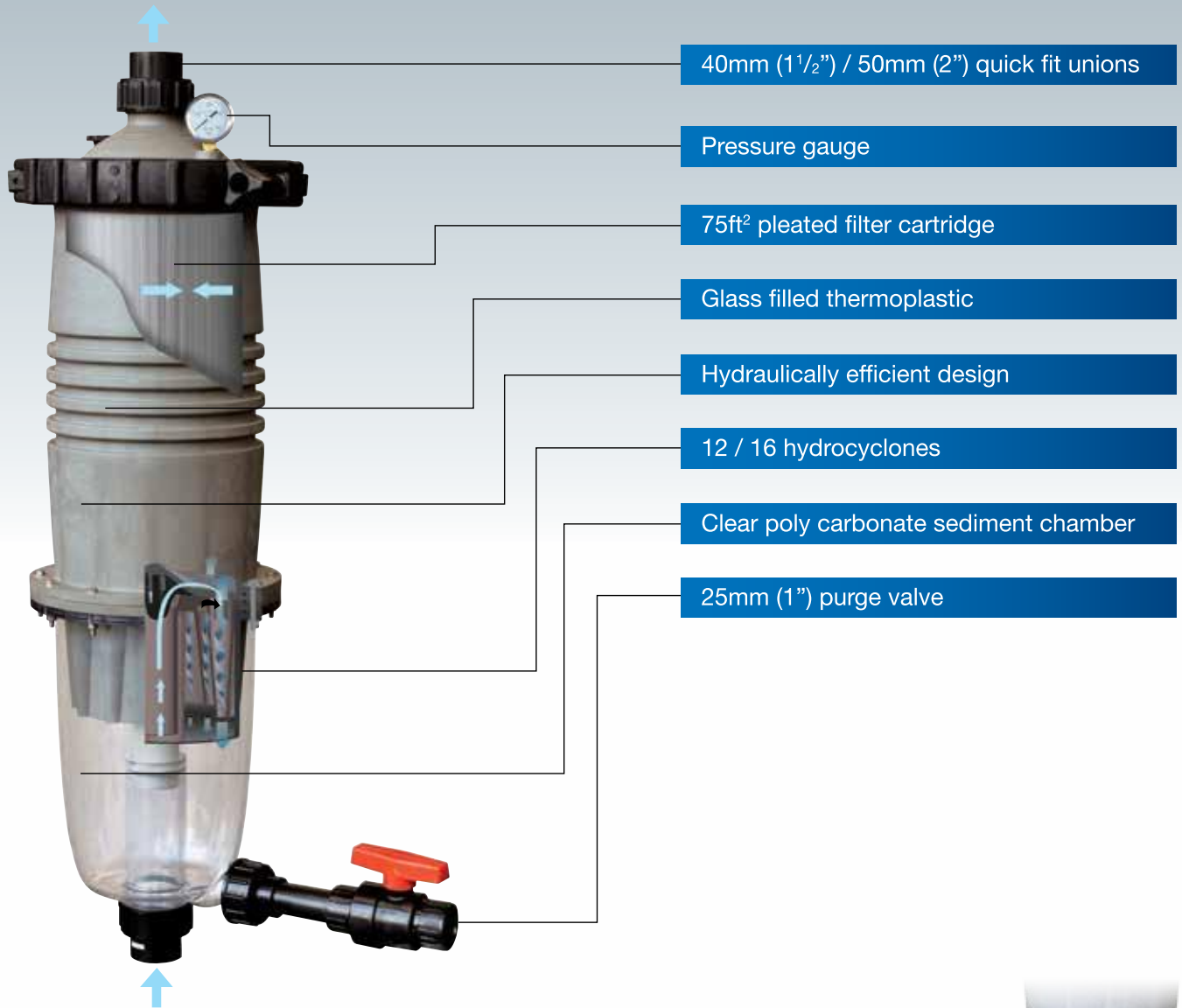
SAVE TIME

MULTI  CYCLONE 16 ULTRA

MULTI  CYCLONE 12 ULTRA

## Dual stage filtration

Incoming water tangentially enters its multiple hydrocyclones, generating a strong centrifugal effect. Approximately 80% of the incoming dirt load is spiralled down to its clear sediment chamber. The outgoing water is finally polished via its inbuilt cartridge filter, producing crystal clear water.



## Extended filter capacity

As MultiCyclone Ultra's centrifugal section filter pre-filters up to 80% of the incoming dirt load, the capacity of its 75ft² filter cartridge is magnified by up to 5 times.

## Ease of maintenance

MultiCyclone Ultra's sediment chamber is easily cleaned by opening its purge valve. Only 15 litres of water is discharged.



## Ultra compact

MultiCyclone Ultra's streamline design combines the benefits of the Waterco award winning MultiCyclone prefiltration and a compact cartridge filter that enables a reduction in pool equipment foot print and required pipe work, reducing the filtration system overall head loss. The MultiCyclone Ultra can also be mounted using the MultiCyclone support stand.



*Note: It is recommended when installing the MultiCyclone Ultra directly to the pump as illustrated, the MultiCyclone Ultra should be supported to ensure stability.*

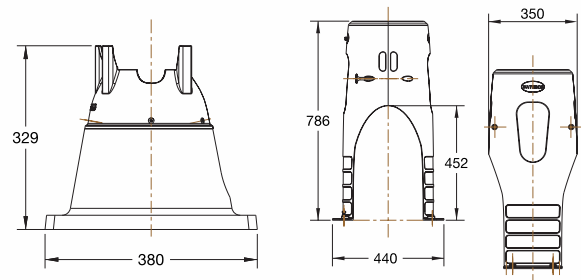
## MultiCyclone Support Stands

The MultiCyclone has two purpose designed support stands to suit all MultiCyclone models and most installations.



MultiCyclone Stand MKII, a great option if the height of the installation is prohibitive.

## Dimension



*Note: MultiCyclone Support Stand is suitable for most Waterco Domestic Pool Pumps. Excluding Hydrostar & all Commercial Pumps.*

## Specifications

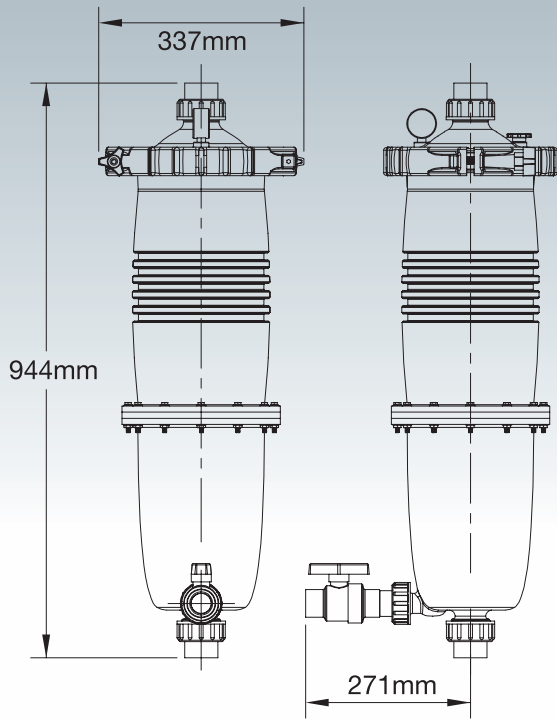
| Model                       | Hydrocyclones | Connection Ports | Minimum Flow | Maximum Flow | Filter Area                           | Maximum Pool Size | Maximum Pressure |
|-----------------------------|---------------|------------------|--------------|--------------|---------------------------------------|-------------------|------------------|
| <b>MultiCyclone12 Ultra</b> | 12            | 40mm / 1 1/2"    | 40lpm        | 225lpm       | 6.9m <sup>2</sup> / 75ft <sup>2</sup> | 108,000l          | 350 kPa (50psi)  |
| <b>MultiCyclone16 Ultra</b> | 16            | 50mm / 2"        | 50lpm        | 280lpm       | 6.9m <sup>2</sup> / 75ft <sup>2</sup> | 134,000l          | 350 kPa (50psi)  |

Maximum flow is limited by the surface area of the filter cartridge. Residential Cartridge Design Filtration Rate: 41 lpm/m<sup>2</sup> (1gpm/ft<sup>2</sup>)

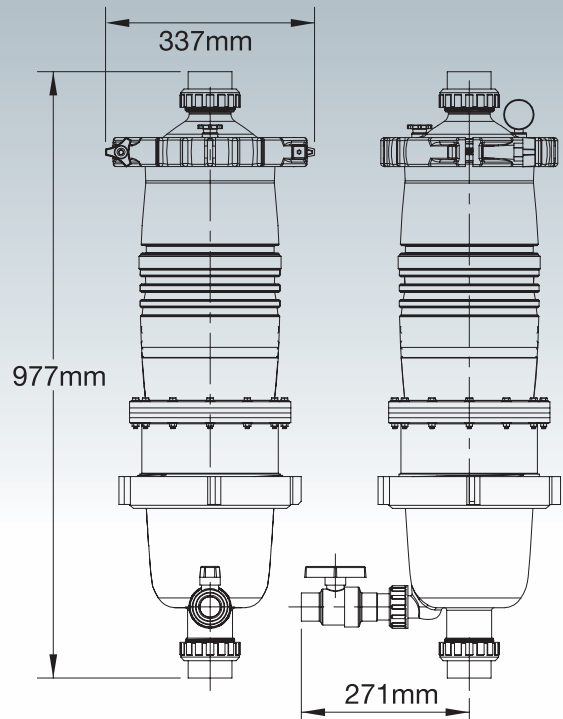


## Dimensions

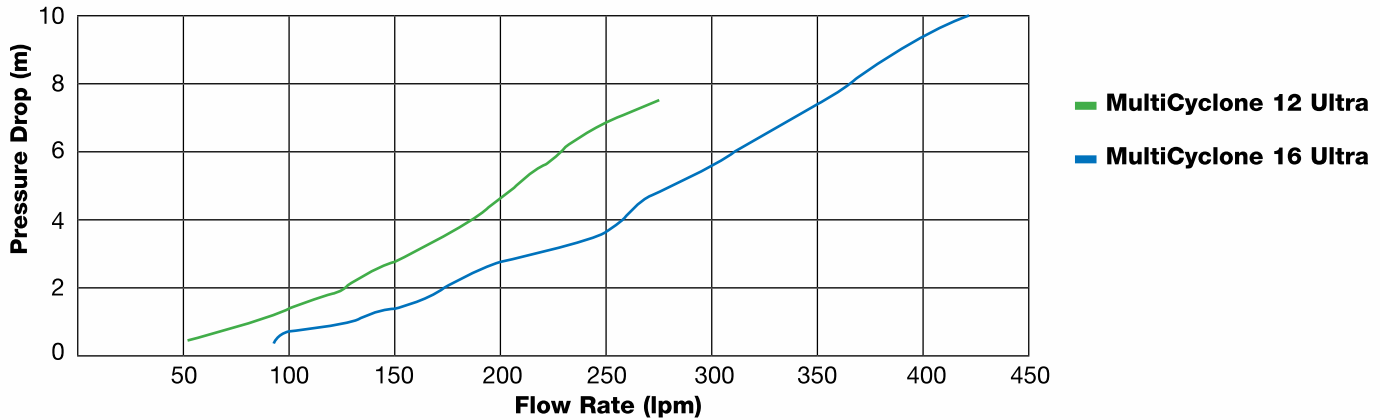
### MultiCyclone 12 Ultra



### MultiCyclone 16 Ultra



## Head Loss Curves



## Warranty

MultiCyclone Ultra is covered by a 2 year warranty and 1 year warranty on labour. Commercial installations are covered by a 1 year warranty.

### OFFICES - AUSTRALIA

NSW - Sydney (Head Office)

Tel: +61 2 9898 8600

QLD - Brisbane

Tel: +61 7 3299 9900

VIC/TAS - Melbourne

Tel: +61 3 9764 1211

WA - Perth

Tel: +61 8 9273 1900

SA/NT - Adelaide

Tel: +61 8 8244 6000

### OFFICES - OVERSEAS

Waterco (Europe) Limited

Sittingbourne, Kent, UK

Tel: +44 (0) 1795 521 733

Waterco (USA) Inc

Augusta, Georgia, USA

Tel: +1 706 793 7291

Waterco Canada

Longueuil, Quebec, Canada

Tel: +1 450 748 14211

Waterco (NZ) Limited

Auckland, New Zealand

Waterco (C) Limited

Guangzhou, China

Tel: +86 20 3222 2180

Waterco (Far East) Sdn Bhd

Selangor, Malaysia

Tel: +60 3 6145 6000

PT Waterco Indonesia

Jakarta, Indonesia

Tel: +62 21 4585 1481

Waterco Singapore Intl Pte Ltd

Nehsons Building, Singapore

Waterco France

SAINT PRIEST, France.

Tel: +33 4 72 79 33 30

DISTRIBUTED BY:

**WATERCO**

