



THE LEADERS IN RECREATION, FITNESS, AND ABILITY!

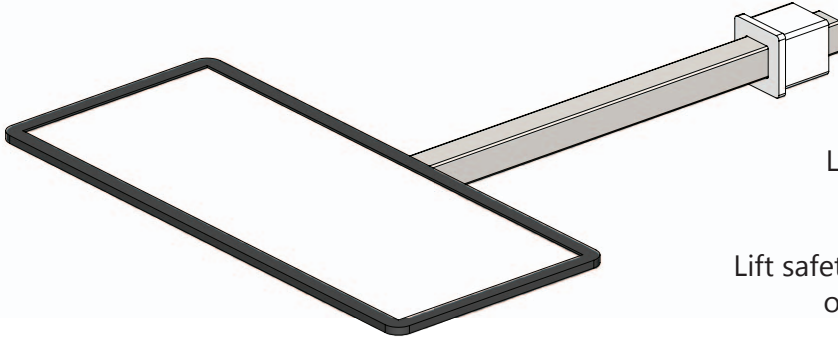
9889 Garrymore Ln

Missoula, MT 59808

888-687-3552 | +1-406-549-0769

www.aquacreek.com

Pull-Out Legrest Instructions



PART #: F-105LAR-01

MANDATORY

LEAVE THIS MANUAL WITH LIFT OWNER

Read and follow all instructions.

Lift safety can only be ensured if the lift is installed and operated according to these instructions.

- NEVER permit children to play on or around the lift
- Do not allow children to use the lift without adult supervision
- NEVER apply direct water pressure to the electronics
- NEVER use the lift with a dry pool

READ CAREFULLY

Check entire box and all packing materials for parts. Before beginning assembly, read the instructions and identify parts using the figures and parts listed in this document.

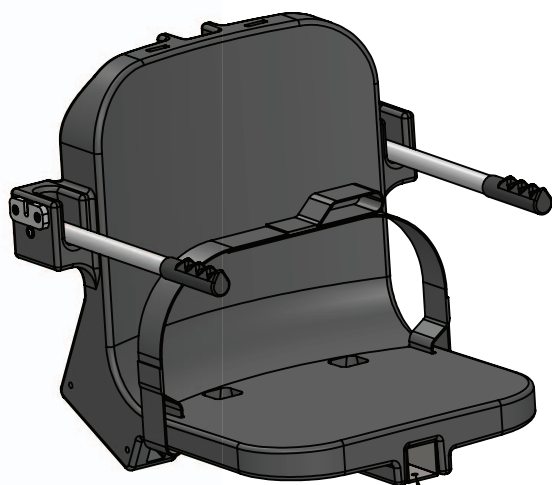
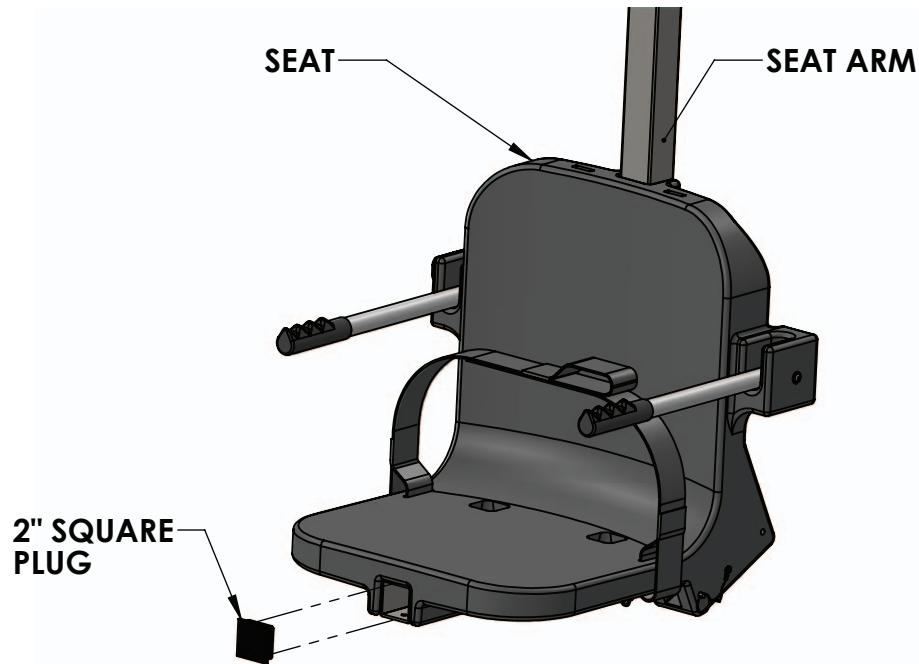
It is critical that all parts be carefully inspected prior to installation. If any damage occurred in transit, Aqua Creek Products, LLC must be notified within three days of receipt of unit.

Proper installation cannot be overstressed, as an improper installation voids Aqua Creek's warranty and may affect the safety of the user.

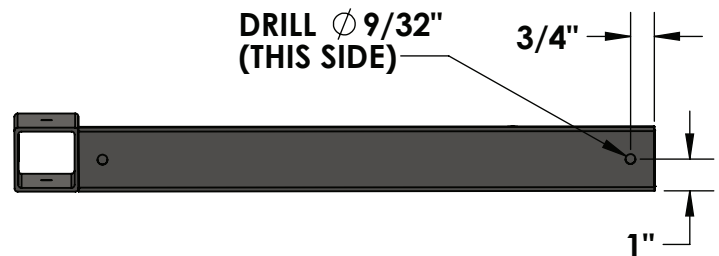
Installation Instructions:

The pull out legrest assembly is designed to fit under the chair and is installed inside the 2" square tubing that supports the chair from underneath. To install the pull out legrest;

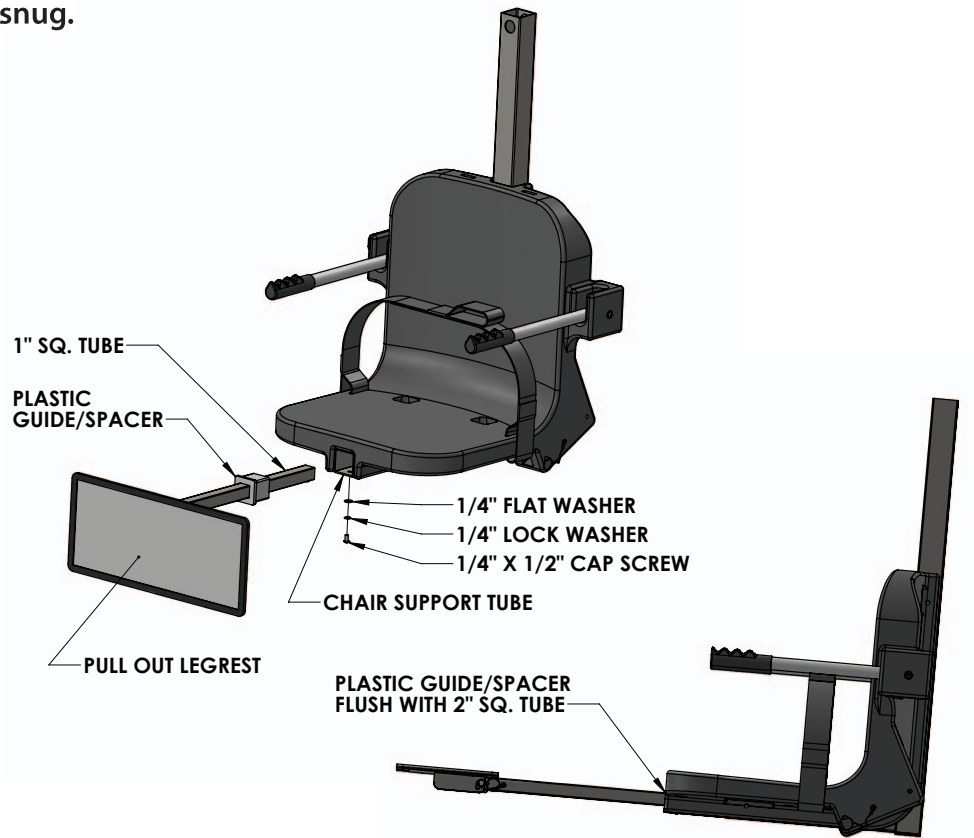
1. With a flat-blade screwdriver, pry off the 2" square plug from the end of the 2" square tube of the seat arm.
2. Drill a 9/32" hole at the location indicated in the drawing below through the bottom of the chair support tube. Drill only through the bottom of the tube. Remove the burrs from the hole before installing the legrest assembly.



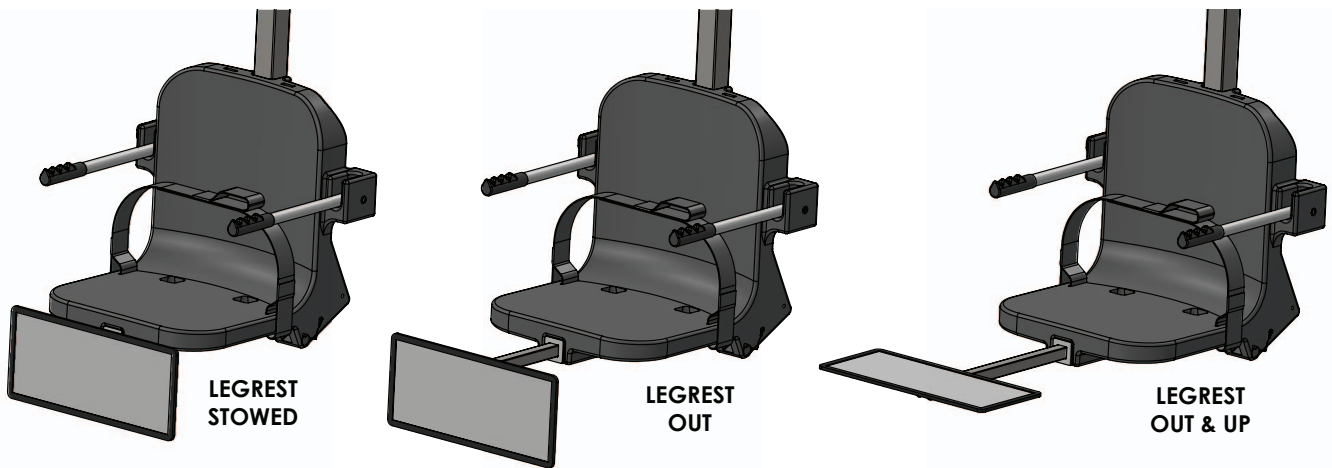
DRILL ϕ 9/32" HOLE
(BOTTOM OF CHAIR SUPPORT TUBE)
(SEE FIGURE TO THE RIGHT)



3. Orient the pull out legrest as shown below and slide the plastic guide/spacer into the chair support tube. Tap the plastic guide/spacer with a hammer or mallet until flush with the end of the support tube. The threaded hole in the bottom of the plastic guide/spacer should line up with the hole drilled in the support tube. Install the washers and 1/4"-20 x 1/2" cap screw from underneath and tighten until snug.



The PULL-OUT LEGREST is now ready to use. However, before using, slide the legrest in and out, and put the pad up and down to make sure everything works smoothly.



SLIDE FORWARD AND INSERT PIN TO LOCK IN "UP" POSITION

