

NOMAD 1 & 2 PERSON KAYAK OWNER'S MANUAL



RL3601/RL3602

TABLE OF CONTENTS

| | |
|-------------------------------|----|
| INTRODUCTION | 3 |
| PARTS LIST | 4 |
| SAFETY WARNINGS | 5 |
| INFLATING THE KAYAK | 6 |
| ASSEMBLY INSTRUCTIONS | 7 |
| OPERATING INSTRUCTIONS | 8 |
| MAINTENANCE AND STORAGE | 9 |
| TROUBLE SHOOTING | 10 |
| WARRANTY | 11 |

INTRODUCTION

Thank you for purchasing this inflatable kayak.

We work around the clock and around the globe to ensure that our products maintain the highest possible quality. However, in the rare instance that your product is defective or missing parts, contact your retailer, or call 800-759-0977, to submit parts requests or warranty claims. Please read the warranty information at the back of this owner's manual for further details.

Familiarize yourself with the features of the kayak and ask for professional training if you are inexperienced in handling this type of kayak. For your full enjoyment it is important to follow proper safety procedures and rules of the waterway that apply to all kayaks. Always check the local weather conditions before taking the kayak out. Do not let yourself get caught out by currents in tidal inlets, open seas, small channels or shallow water regions.

Always use good quality materials, of the correct specifications, whenever working on the kayak. Maintenance work and repairs on the kayak should be done only by qualified personnel.

IMPORTANT: Keep this manual in a dry place and give it to the new owner if you sell the kayak.

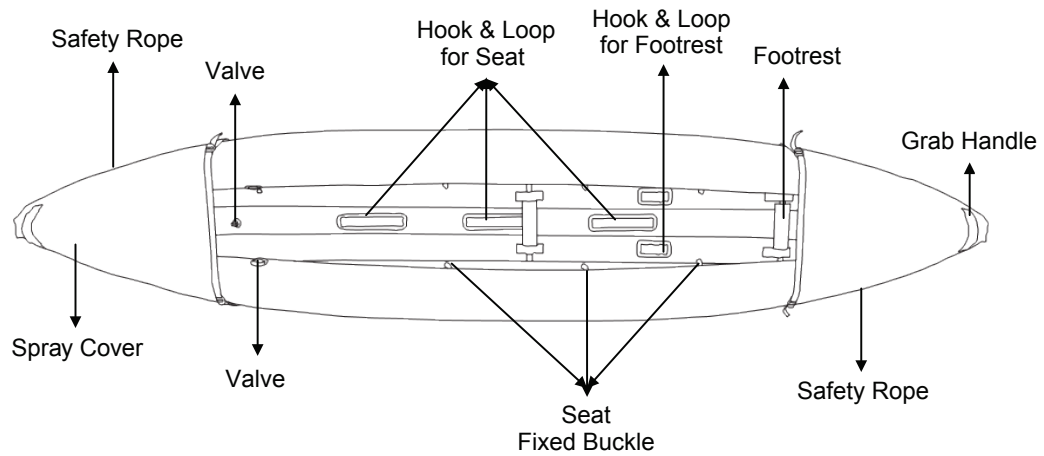
If this is your first craft, or you are not familiar with this type of kayak, please make sure that you get handling and operating experience before piloting this kayak. Your dealer, national sailing federation or yacht club will be pleased to advise you of local sea schools or competent instructors.

The following illustration will introduce details of the craft, any supplied equipment, and its systems. Please familiarize yourself with each part of the craft before using it.

IMPORTANT! PLEASE READ THIS MANUAL CAREFULLY, AND IN ITS ENTIRETY, BEFORE INFLATING, ASSEMBLING OR USING YOUR KAYAK.



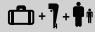
PARTS LIST

Kayak Details



All boats have a CIN (Craft Identification Number) and a manufacturer plate. Do not alter, cover or remove the CIN, it may invalidate the warranty and could get you into legal problems. Please write it down in a safe place.

Specifications

| Item No. | RL3601 | RL3602 |
|---|---|--|
| Model | Nomad 1 Person Kayak | Nomad 2 Person Kayak |
| Inflated Size | 109" x 30.5" x 13.5" 277 x 77 x 34 cm | 148" x 30.5" x 13.5" 376 x 77 x 34 cm |
| Capacity (Person) |  1 | 2 |
| |  0 | 0 |
|  Max. Load Weight | 231 LBS / 105 KG | 374 LBS / 170 KG |

Accessories/Parts

| Description/Part No. | RL3601 Nomad 1 Person Kayak | RL3602 Nomad 2 Person Kayak |
|-------------------------|--------------------------------|--------------------------------|
| Repair Kit, RLP1000 | 1 | 1 |
| Removable Seat, RLP1001 | 1 | 2 |
| EVA Footrest, RLP1002 | 1 | 2 |
| Direction Fin, RLP1003 | 2 | 2 |
| Foot Pump, RLP1004 | 1 | 1 |
| Oar, RLP1005 | 1 | 2 |
| Carry Bag, RLP1006 | 1 | 1 |
| Pressure Gauge | 0 | 0 |

SAFETY WARNINGS

To enhance the enjoyment of your kayak and protect the safety of passengers and operators using the kayak, always strictly observe the following safety warnings:

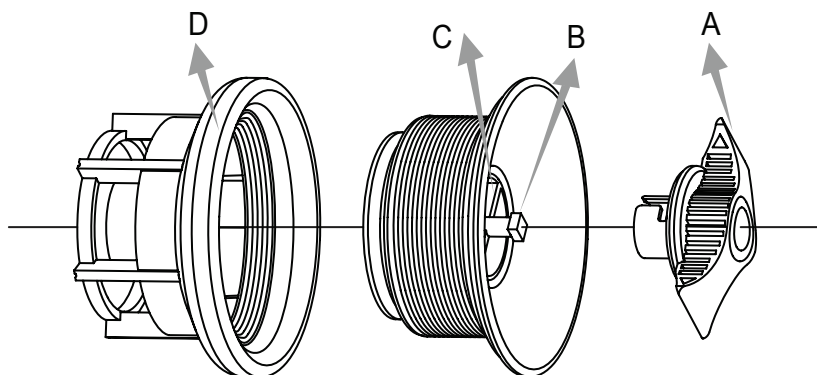
- This is not a life saving device. Use only under competent supervision. Never allow diving into or from this product. Never leave in or near the water when not in use. Never tow with any vehicle. Adult assembly and operation required.
- An adult should inflate the chambers in numbered order.
- Excessive inflation of the kayak can cause the chambers to burst or cause damage to the welded seams. Not following the operator's instructions, which may detail important inflation and assembly sequences, can cause capsizing and drowning.
- Take a kayaking safety course and get hands-on training from your kayak dealer or local kayaking authorities. Review all safety requirements regularly. Never navigate alone.
- A Personal Flotation Device (PFD) is required for each passenger. It is especially important that children and non-swimmers wear a personal flotation device at all times. Children and non-swimmers may need special instruction in the use of PFD.
- Be careful when stepping or climbing aboard the kayak. Step into the center of the kayak for maximum stability. Distribute the weight of passengers, gear and accessories evenly so that the kayak sits even front to back and side and to side. Uneven distribution of persons or loads in the boat can cause capsizing and drowning.
- Do not use your kayak if you suspect a puncture or leak. It may be unsafe.
- **WARNING: BEWARE OF OFFSHORE WINDS AND CURRENTS.** These could be unsafe conditions.
- Follow these rules to avoid drowning, paralysis or other serious injuries.
- **WARNING:** It is the responsibility of the kayak operator to identify and obey all local and state laws pertaining to kayak safety and required safety equipment. Please consult your local authorities to ensure compliance.
- Do not allow unattended children in the kayak. Always make sure that at least one responsible adult is supervising all children and those who don't know how to swim at all times.
- Always maintain the proper kayak safety equipment in an easily accessible place in your kayak. Indicate clearly emergency phone numbers as well as safety advisories and rules (such as "No jumping or Diving")
- The total number of persons and total weight shall not exceed the information printed on the kayak. Do not exceed the maximum recommended capacities. Exceeding the data given on the capacity plate can cause capsizing and drowning.

INFLATING THE KAYAK

- Select a clean area free of stones, gravel, sticks or other sharp objects.
- Unfold the kayak so that it's laid out flat and locate your pump.
- Use a hand or foot operated air pump to inflate the kayak. **DO NOT** use high-pressure air compressors. It's very important to follow the numbered sequence when inflating: failure to do so will result in an improperly inflated kayak. Fill each chamber until it is firm. Use printed ruler on the kayak to check the main chamber for proper inflation.
- If the kayak is inflated during cold weather or without direct sunlight on the tubes, care must be taken not to over-inflate the tubes. As the air inside the tubes heats up, due to temperature rises or sunshine, the pressure will increase. The kayak is not fitted with a safety valve, so the pressure must be monitored at all times.


Inflation Adapter

- A. Valve Cap
- B. Inflation Mouth
- C. Deflation Button
- D. Protective Sheath



After the inflation adapter is assembled completely, you can inflate the kayak by number sequence. Do not over inflate. After inflating, screw the valve cap A in a clockwise direction by hand.

Fill each chamber until it is firm. Measure the printed ruler to 10cm with the equipped hard ruler to check the main chamber for proper inflation.

 = 1.45 PSI (0.10 bar) for chamber 1, 2, 3

Inflating

Unscrew valve cap A, assemble the Inflation Adapter with inflation mouth B, air pressure meter and the air pump.

Caution: DO NOT over inflate, or use a high-pressure pump! The maximum pressure for air chambers 1, 2, and 3 should be 1.45 PSI (0.10 bar). Over inflation will lead to bursting.

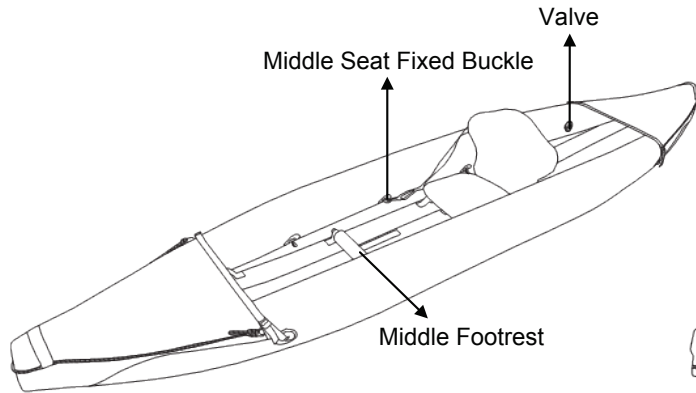
Deflating

Remove valve cap A, push down the deflation button C and turn the valve in a clockwise direction 90° until its locked, release the valve and the air will flow out. If you want to stop the deflation, push down the deflation button C and turn it in a counter-clockwise direction 90°. The deflation will stop when the valve is released.

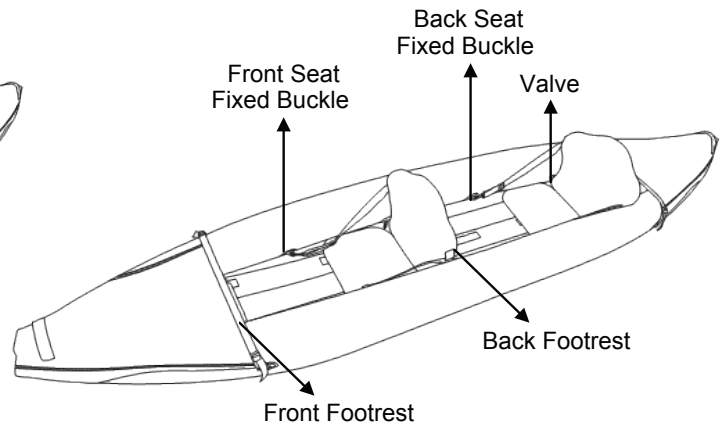
ASSEMBLY INSTRUCTIONS

Seat Installation

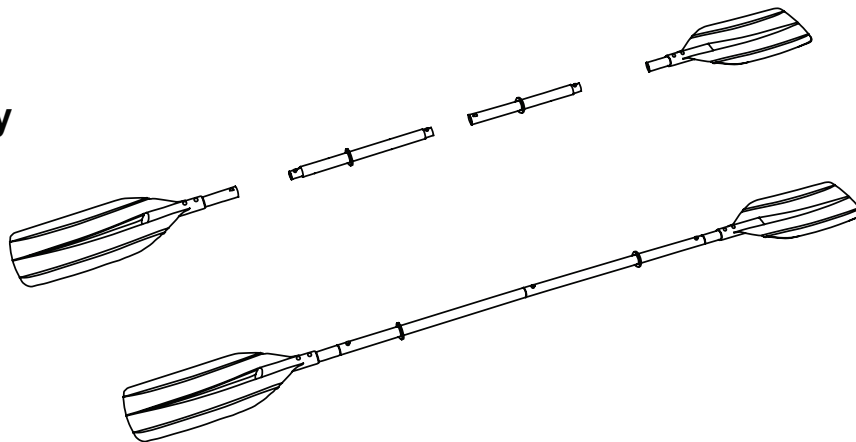
Single Seat Installation



Double Seat Installation

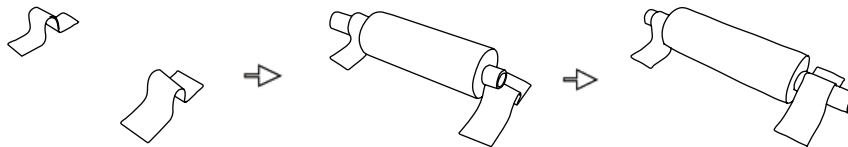


Oar Assembly



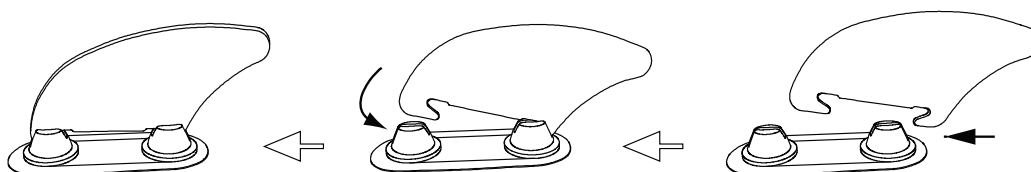
Footrest Installation

Install the footrest in the Kayak as shown below.



Fin Installation

Install the direction fin on the bottom of Kayak as shown below.



OPERATING INSTRUCTIONS

Preparation Before Departure

Acquire necessary information and inform other passengers:

1. Get information on local laws, regulation and hazards related to water activities and boat operation.
2. Check weather forecast, local currents, tides and wind conditions.
3. Advise someone on land of the time you plan to be back.
4. Explain basic boat operation to all passengers.
5. Be sure that at least one of your passengers can operate the boat in case of emergency.
6. Determine the distance you can cover, and remember that bad weather conditional can alter this.

Check the Working Condition of the Boat and Equipment

1. Check inflation pressure
2. Check all safety valves
3. Check load is evenly distributed on deck of boat: front to back and side to side.

Check That Required Safety Equipment is on Board

(Check the laws and regulations of the country or locality in which you're boating)

1. One personal flotation device (PFD) for each passenger.
2. The air pump, oars repair kit and tool kit.
3. The mandatory equipment.
4. The boat papers and your boating license (if applicable).
5. Lights are required if operating after dark.

Rules to Observe During Navigation

1. Be responsible and strictly follow the safety rules. Do not neglect the safety rules, this could be hazardous to your life and lives of others.
2. Learn to keep control of your kayak.
3. Respect local regulations and practices.
4. Navigate on "sheltered water" only.
5. Keep fire away. Do not smoke on board.
6. Remember weather conditions can rapidly deteriorate. Always be sure that you can reach shelter quickly.
7. Do not drink alcohol or take drugs before or while operating your kayak. All passengers should maintain sobriety on all voyages.
8. Make sure your passengers remain seated.
9. No bow riding. Bow riding is illegal in most areas and is extremely dangerous.
10. Be very careful when landing. Arms and legs might be hurt while hanging off the kayak.
11. Always avoid areas where divers/swimmers are in the water. Keep a sharp lookout especially when operating near beaches and launch sites. The Alpha flag indicates proximity of divers. You MUST stay away a good distance (minimum 50 meters).

MAINTENANCE AND STORAGE

Clean your kayak after a trip to prevent damage from sand, salt water or sun exposure. Use a garden hose with a sponge and mild soap to clean the kayak. Make sure the kayak is completely clean and dry before storing to prevent mold.

Do not use solvents to clean the kayak, solvents may damage material and plastic components. Store all kayak accessories in a dry storage location with ventilation. Make sure that all parts are dry before storage.

You can store the kayak inflated or deflated.

- Choose a dry and cool place to store the kayak.
- Don't hang the kayak up.
- Don't place any heavy or sharp objects on it.

The kayak is designed to be stored for seasonal use. If you live in a seasonal area in which the kayak will not be in use all year-round, it is **STRONGLY RECOMMENDED** to deflate the kayak and dry it thoroughly, and store it in a protected area during the off-season. This will help extend your kayak's life and prevent a safety hazard from developing while the kayak is not in use.

WARNING: Certain household cleaning solvents, chemicals and other liquids (such as battery acid, oil and petrol) can damage the PVS fabric. In the event of an accidental spill of a corrosive solvent on the kayak, you should check for leaks and inspect structural integrity before using.

Disassembly

1. Remove all gear and accessories from the kayak
2. Open all valves and deflate the kayak completely.
3. Fold the kayak (make sure that the kayak is clean and dry. See above for "Maintenance & Storage")
4. Put kayak, oars and air pump into carry bag for storage.

TROUBLE SHOOTING

If the boat ever appears a bit soft, it might not be because of a leak. First, check to make sure the valve caps are not loose. If all valves are in good condition, consider if the cause may be temperature variation: if the boat was inflated during the day when the temperature is higher, i.e. 95° F (35° C), and the air cooled down overnight, i.e. 77° F (25° C), the pressure on the hull can drop and the boat will appear soft the next morning.

If the valves and temperature variation are not the reasons, you need to start looking for a leak:

1. Thoroughly check your boat for leaks. Any large leaks should be clearly visible.
2. For smaller leaks, pinpoint the location of the leak by spraying a mild soapy water solution over the suspicious area. Any leak will produce bubbles.
3. Check valve system for leak.

Repairs

Small holes or punctures can be fixed with the repair kit included with the boat.

1. Find the leak.
2. Thoroughly clean the area surrounding the leak to remove any dirt or grime.
3. Cut a piece of repair material in a round shape, which should be larger than the damaged area.
4. Place the patch over the leak area and lightly trace an outline of the patch.
5. Apply patch adhesive to the underneath side of the patch and around the area to be repaired. Coat these areas lightly, but completely, with glue.
6. After the glue has dried, place the patch on the damaged area and press firmly.
7. Allow 12 hours for repair to dry. After patch has dried, apply glue around the edges for a complete seal, and let dry for 4 hours. Adhesive is NOT included.

1-YEAR LIMITED WARRANTY

This product is warranted to the original purchaser to be free from defects in material or workmanship for a period of one year from the date of the original retail purchase.

This warranty does not cover defects or damage due to improper installation, alteration, accident or any other event beyond the control of the manufacturer. Defects or damage resulting from misuse, abuse or negligence will void this warranty. This warranty does not cover scratching or damage that may result from normal usage.

This product is not intended for institutional or commercial use; the manufacturer does not assume any liability for such use. Institutional or commercial use will void this warranty.

This warranty is nontransferable and is expressly limited to the repair or replacement of the defective product. During the warranty period, the manufacturer shall repair or replace defective parts at no cost to the purchaser. Shipping charges and insurance are not covered and are the responsibility of the purchaser. Labor charges and related expenses for removal, installation or replacement of the product or components are not covered under this warranty.

The manufacturer reserves the right to make substitutions to warranty claims if parts are unavailable or obsolete.

The manufacturer shall not be liable for loss of use of the product or other consequential or incidental costs, expenses or damages incurred by the consumer of any other use. The user assumes all risk of injury resulting from the use of this product.

This warranty is expressly in lieu of all other warranties, expressed or implied, including warranties of merchantability or fitness for use to the extent permitted by Federal or state law. Neither the manufacturer nor any of its representatives assumes any other liability in connection with this product.

All warranty claims must be made through the retailer where the product was originally purchased. A purchase receipt or other proof of date of purchase will be required to process all warranty claims. The model number and part numbers found within the assembly instructions will be required when submitting any parts requests or warranty claims.

For further warranty information or inquiries, please call 800-759-0977