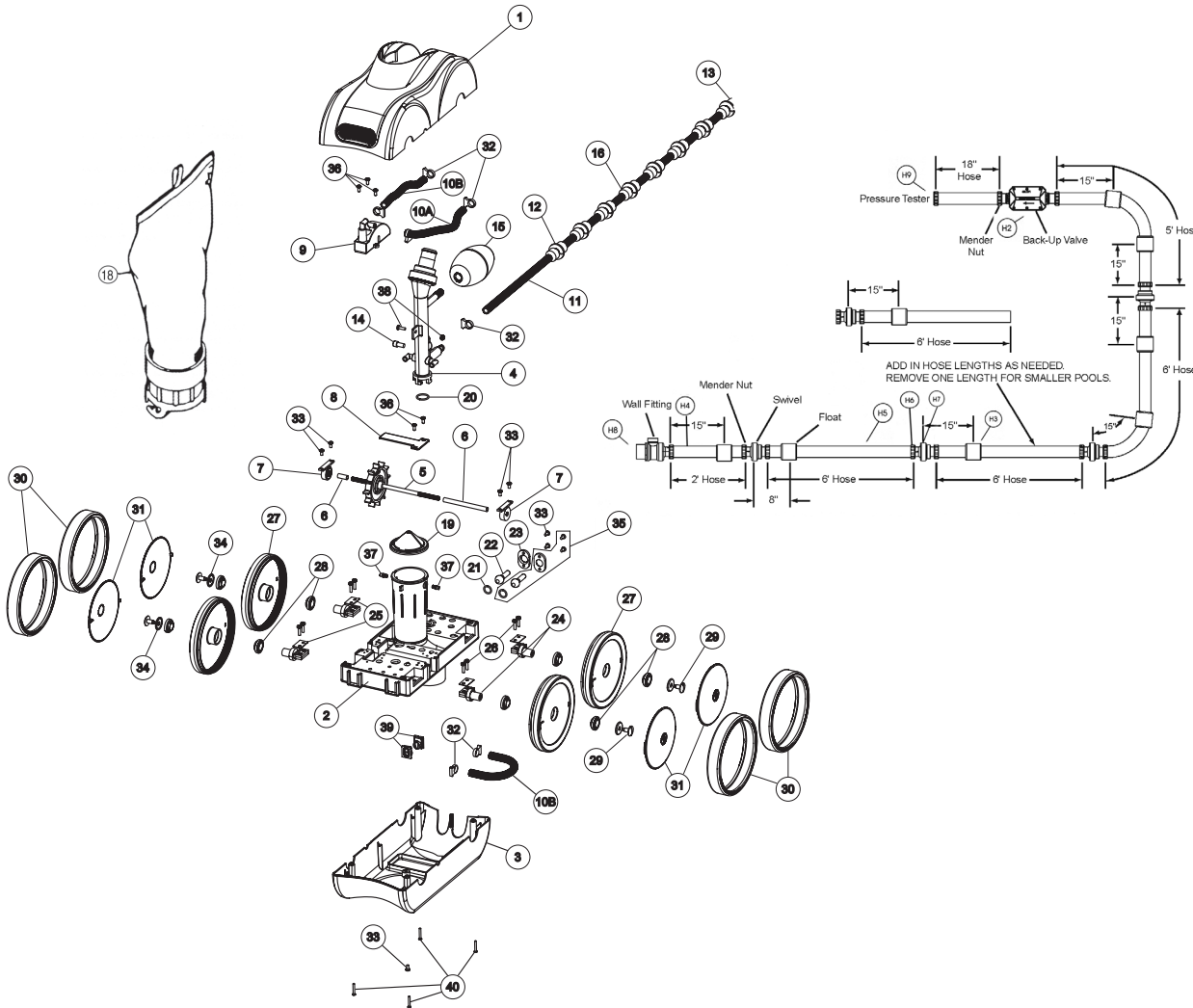


# KREEPY KRAULY® LEGEND® II

## LX5000G AND LX5000GG CLEANER REPLACEMENT PARTS



Item	Part No.	Qty.	Description
<b>KREEPY KRAULY LEGEND II REPLACEMENT PARTS</b>			

1	360003	1	Top Cover
2	LXU145N	1	Main Frame
2	360016	1	Main Frame Grey
3	360004	1	Bottom Cover
3	360011	1	Bottom Cover Grey
4	LXU6	1	Feed Mast w/ O-Ring & Swivel Grey
4	360017	1	Feed Mast w/ O-Ring & Swivel
5	EC86	1	Turbine Drive Shaft - Complete
6	EC83	2	Turbine Spacers
7	EC80	2	Turbine Bearings
8	EA40	1	Turbine Shaft Shield
9	LXC110	1	Turbine Cover w/Elbows

10A & B	EC120	2 & 1	Turbine/Venturi Hose 7-3/4 in. length
---------	-------	-------	---------------------------------------

10A & B	LLC120G	2 & 1	Turbine/Venturi Hose 7-3/4 in. length - Grey
---------	---------	-------	--

11	EB5L	1	Sweep Hose - Complete
11	LLB5G	1	Sweep Hose - Complete - Grey
12	EB10	9	Sweep Hose - Wear Ring
13	EB25	1	Sweep Hose - Jet w/Collar
13	LLB25PM	1	Sweep Hose - Jet w/ Collar - Grey
14	370198	1	Sweep Hose Adjustment Screw
15	EA20	1	Ballast Float
15	LLA20G	1	Ballast Float - Grey
16	EH07	4	Sweep Hose - Hose Sleeve
16	LLH07PM	4	Sweep Hose - Hose Sleeve - Grey
17	EU15	1	Coarse Mesh Bag-Blue (Optional - not shown)
17	EU15G	1	Coarse Mesh Bag- Blue/ Grey Collar (Optional - not shown)

# KREEPY KRAULY® LEGEND® II (CONT'D)

## LX5000G AND LX5000GG CLEANER REPLACEMENT PARTS

Item	Part No.	Qty.	Description
<b>KREEPY KRAULY LEGEND II REPLACEMENT PARTS</b>			
18	360002	1	Fine Mesh Bag - Mechanical Lock
18	360009	1	Fine Mesh Bag Grey - Mechanical Lock
18	EU16	1	Fine Mesh Bag - Velcro Brand Fastener
18	EU16G	1	Fine Mesh Bag - Velcro Brand Fastener - Grey
19	EU9	1	Debris Valve
20	EU7	1	O-ring for Feed Mast
21	E18	1	O-ring for Thrust Jet
22	EC130	1	Thrust Jet
23	EC135	1	Thrust Jet - Plate
23	LLC135G	1	Thrust Jet - Plate - Grey
24	EC65	4	Axle - Large Wheels
25	EC70	4	Axle Plate
26	370258Z	8	Axle Screw w/ Lock Washer
27	360006	4	Wheel w/o Bearings
28	EC60	8	Wheel Bearings - Only
29	EC55	4	Wheel Screw - Plastic
29	LLC55PM	4	Wheel Screw - Plastic - Grey
30	360007	4	Wheel - Rubber Tire
30	360012	4	Wheel - Grey Tire
31	360005	4	Hub Cap
31	360013	4	Hub Cap - Grey
32	EB15	7	Hose Clamp
33	EC40	7	Screw
34	EC64	4	Wheel - Plastic Washer
35	EC131	1	Thrust Jet Repair Kit, includes: EC130, EC135 and E18
35	360014	1	Thrust Jet Repair Kit - Grey, includes: EC130, LLC135 and E19
36	EA30	5	Screw for EA40 and LXC110
37	EU147	2	Snap Fit Vac Tube Posts
37	LLU147G	2	Snap Fit Vac Tube Posts - Grey
38	EU79	1	Nut & Bolt - Feed Mast to Vac Tube
39	LXU8	2	Venturi Jets
40	EU80	4	Screw - Top and Bottom Cover
41	370017	1	Sweep Hose - Scrubber
-	EH09C	1	Sweep Hose Weight (Optional - not shown)

Item	Part No.	Qty.	Description
<b>LX10 REPLACEMENT PARTS</b>			
H2	LX10	1	Back-Up Valve - Low Pressure
H2	360018	1	Back-Up Valve - Low Pressure - Grey
H2	E15	6	Back-Up Valve - Screw Housing Body
Inside H2	E13	1	Back-Up Valve - Housing O-Ring
Inside H2	E14	1	Back-Up Valve - O-Ring Gear Assembly
Inside H2	LX16	1	Back-Up Valve - Gear Assembly
H3	LXD10	7	Feed Hose Float - White
H3	360019	7	Feed Hose Float - Grey
H4	LX18	1	Feed Hose - White - 2 ft. Section
H4	360021	1	Feed Hose - Grey - 2 ft. Section
H5	LX17	4	Feed Hose - White - 6 ft. Section
H5	360020	4	Feed Hose - Grey - 6 ft. Section
H6	LX20	12	Feed Hose Mender - White w/ O-ring #0252
H6	360022	12	Feed Hose Mender - Grey w/ O-ring #0253
H7	LX19	4	Feed Hose Swivel - White
H7	360023	4	Feed Hose Swivel - Grey
H8	LXW22	1	Wall Fitting Complete - White
H8	360024	1	Wall Fitting Complete - Grey
Inside H8	E23	1	Wall Fitting Adapter - White
Inside H8	LL23PM	1	Wall Fitting Adapter - Grey
Inside H8	E21	2pk	Wall Fitting O-ring
Inside H8	E24	1	Wall Fitting Screen
Inside H8	LX25	1	Wall Fitting - Valve Assembly - White
Inside H8	360025	1	Wall Fitting - Valve Assembly - Grey
H9	LX26	1	Pressure Tester
<b>ACCESSORIES</b>			
	EH09C	1	Sweep Hose Weight (optional)
	LX509		Feed Hose Complete - Grey
	LX209		Feed hose Complete - White